

**Parts Manual**  
**E17/E20 Electric Floor Scrubber**  
**Disc Brush Drive**

## PREFACE

Thank you for your purchase of the new industry standard for scrubbers. Minuteman International takes great pride in offering the most dependable, reliable and best value in industrial power sweepers and sweeper / scrubbers. We set the standard.

Our Customer Service Department would like to hear from you. If you see any errors, omissions or something that needs clarification in this Parts Catalog please let us know. We are working hard towards continually improving our processes to bring you the best you deserve. Please copy the form below, fill out and comment on how you found our catalog.

Thank you!

*The Minuteman International Team*

Name: \_\_\_\_\_

Title: \_\_\_\_\_

Company Name: \_\_\_\_\_

Address: \_\_\_\_\_

Country: \_\_\_\_\_

Type of equipment or model number: \_\_\_\_\_

Comments: \_\_\_\_\_

\_\_\_\_\_

\_\_\_\_\_

\_\_\_\_\_

Please return to:

Customer Service Manager  
Minuteman International, Inc.  
14N845 U.S. Route 20  
Pingree Grove, Illinois 60140 USA

Phone: (800) 323-9420

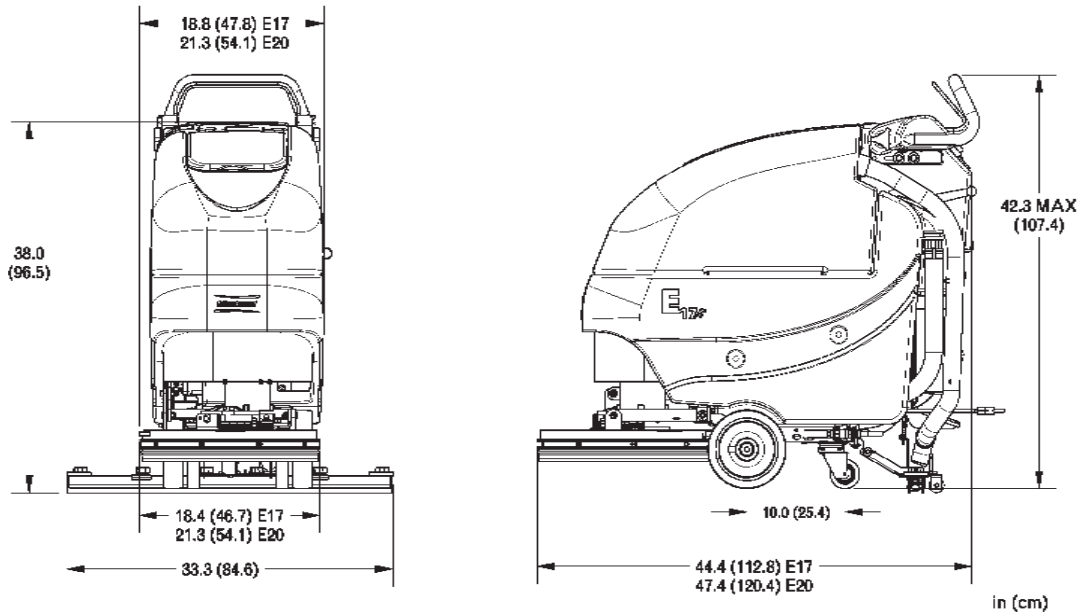
Email: [tech@minutemanintl.com](mailto:tech@minutemanintl.com)

# Technical Specifications

Model **E17/E20 Electric**

Model No. E17115BD / E20115BD / E17230BD / E20230BD

	<b>E17</b>	<b>E20</b>
Current (Max)	32 amps	32 amps
Sound Level	69 dBA	69 dBA
Cleaning path width	17 in (43 cm)	20 in (51 cm)
Squeegee width	33 in (84 cm)	34 in (86 cm)
Theoretical productivity	12,750 ft <sup>2</sup> /hr ( 1,185 m <sup>2</sup> )	15,000 ft <sup>2</sup> /hr ( 1,394 m <sup>2</sup> )
Working speed	1.7 mph (2.7 km per hr)	1.7 mph (2.7 km per hr)
Rated voltage	24 volts	24 volts
Vacuum flow	65 cfm (110 m <sup>3</sup> /hr)	65 cfm (110 m <sup>3</sup> /hr)
Vacuum waterlift	45 inches ( 112mbar)	45 inches ( 112mbar)
Vacuum power	.60 HP (450 W)	.60 HP (450 W)
Brush type	Disc	Disc
Brush motor(s) power	3/4 HP (560W)	3/4 HP (560W)
Number of brushes	1	1
Brush RPM	180 RPM	180 RPM
Aqua-Stop equipped	Coming Soon	Coming Soon
Solution capacity	12Gal (45 liters)	12 Gal (45 liters)
Recovery capacity	13 Gal (49 liters)	13 Gal (49 liters)
Working Grade	2%	2%
Weight	316 lbs (143 kgs)	312 lbs (142 kgs)
Dimensions (LxWxH)	44.4 x 18.8 x 42.3 (112.8 x 47.8 x 107.4 cm)	47.4 x 21.3 x 42.3 (120.4 x 54.1 107.4 cm)



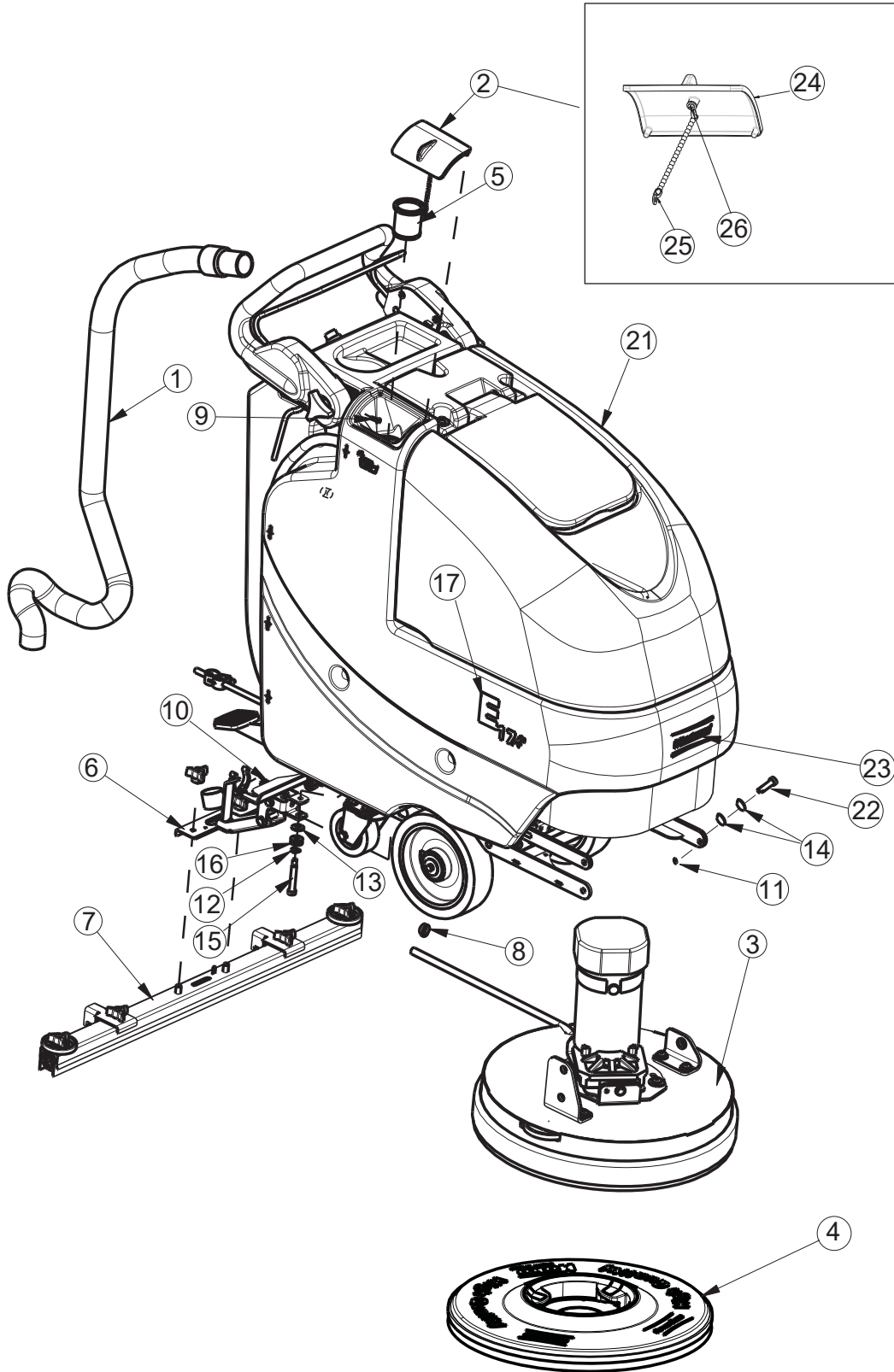
### For Safety When Servicing or Maintaining Machine

- Stop on level surface.
- Disconnect the power to the machine by pulling the red Power Supply Connector located under the recovery tank.
- Avoid moving parts. Do not wear loose jackets, shirts, or sleeves when working on machine.
- Do not clean machine with a pressure washer.
- Authorized personnel must perform repairs and maintenance. Use Minuteman supplied replacement parts.



## Table of Contents

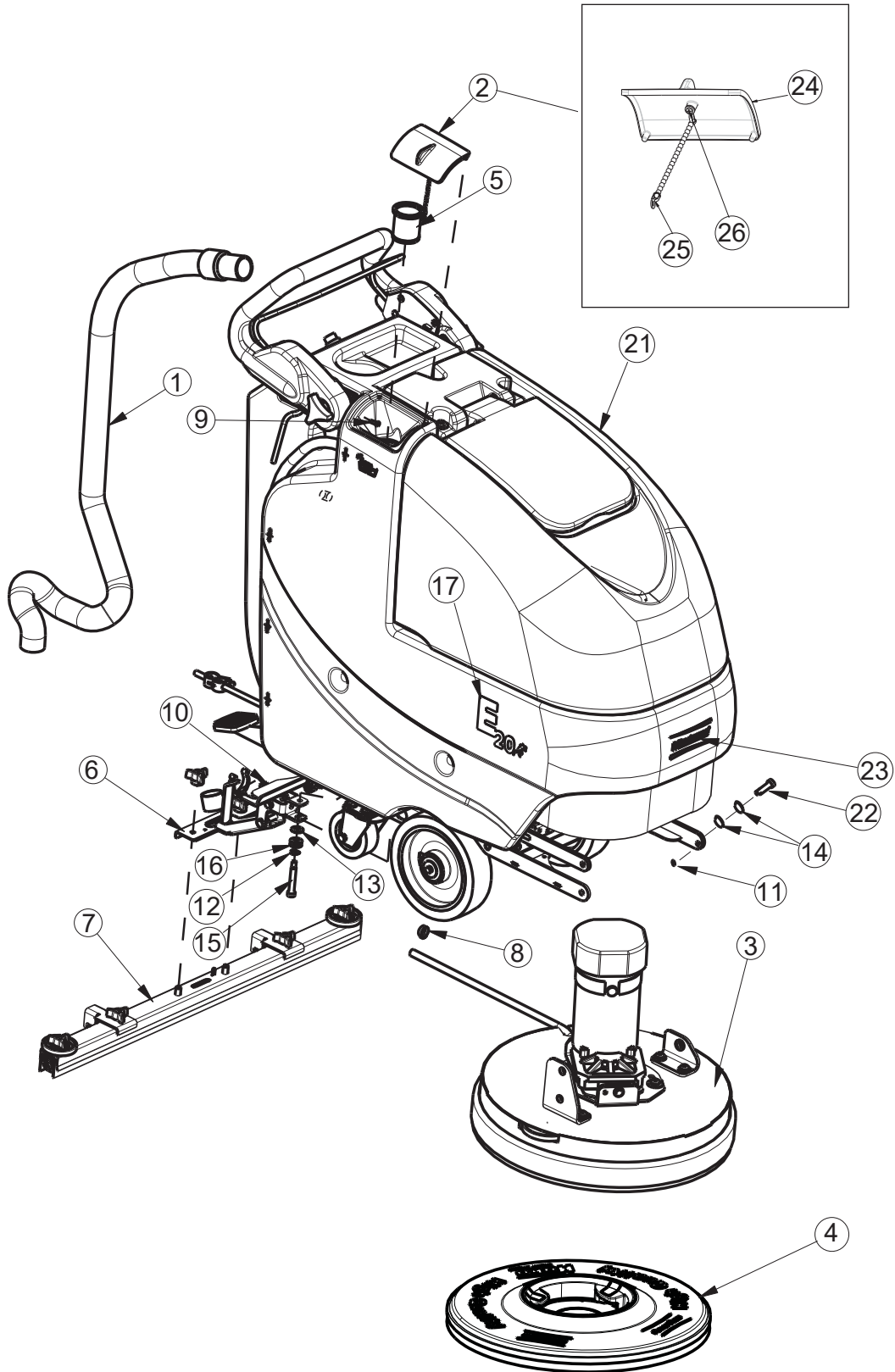
<b>Technical Specifications</b> .....	<b>3</b>
E17 Main Assembly.....	6
E20 Main Assembly.....	8
Brush Drive Base Assembly.....	10
Power Assembly.....	12
E17/20 Base Assembly.....	14
Chassis Assembly.....	16
Solution Valve Assembly.....	18
Solution Tank Assembly.....	19
Lift Pedal Stop Assembly.....	20
Handle Assembly.....	21
Recovery Tank Assembly.....	22
Electrical Box Assembly.....	24
Electrical Box Cover Assembly.....	27
Vac Motor Assembly.....	28
17" Brush Deck Assembly.....	30
20" Brush Deck Assembly.....	32
E17/20 Brush Hub Assembly.....	34
E17 Rear Squeegee Assembly (Straight).....	35
E17 Rear Squeegee Assembly (Curved).....	36
E20 Rear Squeegee Assembly (Curved).....	38
E17 Tension Band Sub-Assembly.....	40
E20 Tension Band Sub-Assembly.....	41
Squeegee Mechanism Assembly.....	42
Kit K-E1720S - Water Solenoid Valve.....	44
Wiring Diagrams.....	45
Warranty.....	48



ITEM	PART NO.	QTY	DESCRIPTION
1	172010	1	HOSE, CLEAR VAC W/ 45 CUFF
2	172018	1	SOLUTION TANK LID ASSY
3	172090	1	BRUSH DECK ASSY 17"
4	172517-2	1	17" PAD DRIVER - <b>SEE BELOW FOR RETAINER</b>
5	172159	1	FILTER, FILL PORT, ES1720
6	172170	1	BD SQUEEGEE LIFT MECH ASSY
6KT	172150	1	SQUEEGEE LIFT MECH ASSY
7	210080	1	SQUEEGEE ASY COMP 20" STR
7KT	172530-1	1	SQUEEGEE ASSY BD 30" (760)
8	450076	1	CLAMP-CRIMP 185R SS
9	711118	1	SCR-ST-A 10 X .75 SS
10	711374	1	NUT-NYLOC 5/16-18
11	711375	3	NUT-NYLOC 3/8-16 X 1/2 NUT
12	711523	1	WSR-WAVE .37X .68 X .08
13	711569	1	WSR-FLT .390 X .880 X .062 NYL
14	711592	6	WSR-FLAT .506 X .9 X .064 NYL
15	712143	1	BLT-SHLD 3/8 X 2.0, 5/16-18
16	712301	2	WSR-FLAT .37 X .87 X .06
17	715917	2	DECAL, E17
21	172501	1	E1720 ELECTRIC BD MAIN ASSY, 115V
21CE	172502	1	E1720 ELECTRIC BD MAIN ASSY, 230V
22	712099PLT	3	BLT- SHLDR 1/2 X 1/2 ZINC PLT
23	715914W	1	DECAL, MINUTEMAN W/SWOOSHES, WHITE
24	172008	1	SOLUTION TANK LID
25	172123	1	CHAIN, BEADED SS W/EYELET S
26	712145	1	SCR-MC 6-32 X .37 PPH SS

BRUSH OPTIONS			
		AQUA STOP BRUSHES	
762394	PAD RETAINER, FIXED - NOT SHOWN	7943-01	BRUSH, 17" LIGHT-MEDIUM PP.5 A/S, (WHITE)
762370	PAD RETAINER, REMOVEABLE - NOT SHOWN	7943-02	BRUSH, 17" LIGHT-MEDIUM A/S K901 (BLACK)
172517-1	BRUSH-DISC, 17" NYLON, BLACK	7943-03	BRUSH, 17" MEDIUM NYLON 600GR. A/S, (GREY)
172517-3	BRUSH-DISC, 17" NYLO-GRIT 80GR GREEN	7943-04	BRUSH, 17" MEDIUM-HEAVY PP.8 A/S (WHITE)
172517-6	BRUSH-DISC 17"SCRUB GRIT II 120GR	7943-05	BRUSH, 17" HEAVY NYLON 180GR. A/S (GRAY)
		7943-06	BRUSH, 17" HEAVY-2 NYL 120GR. A/S, GREEN

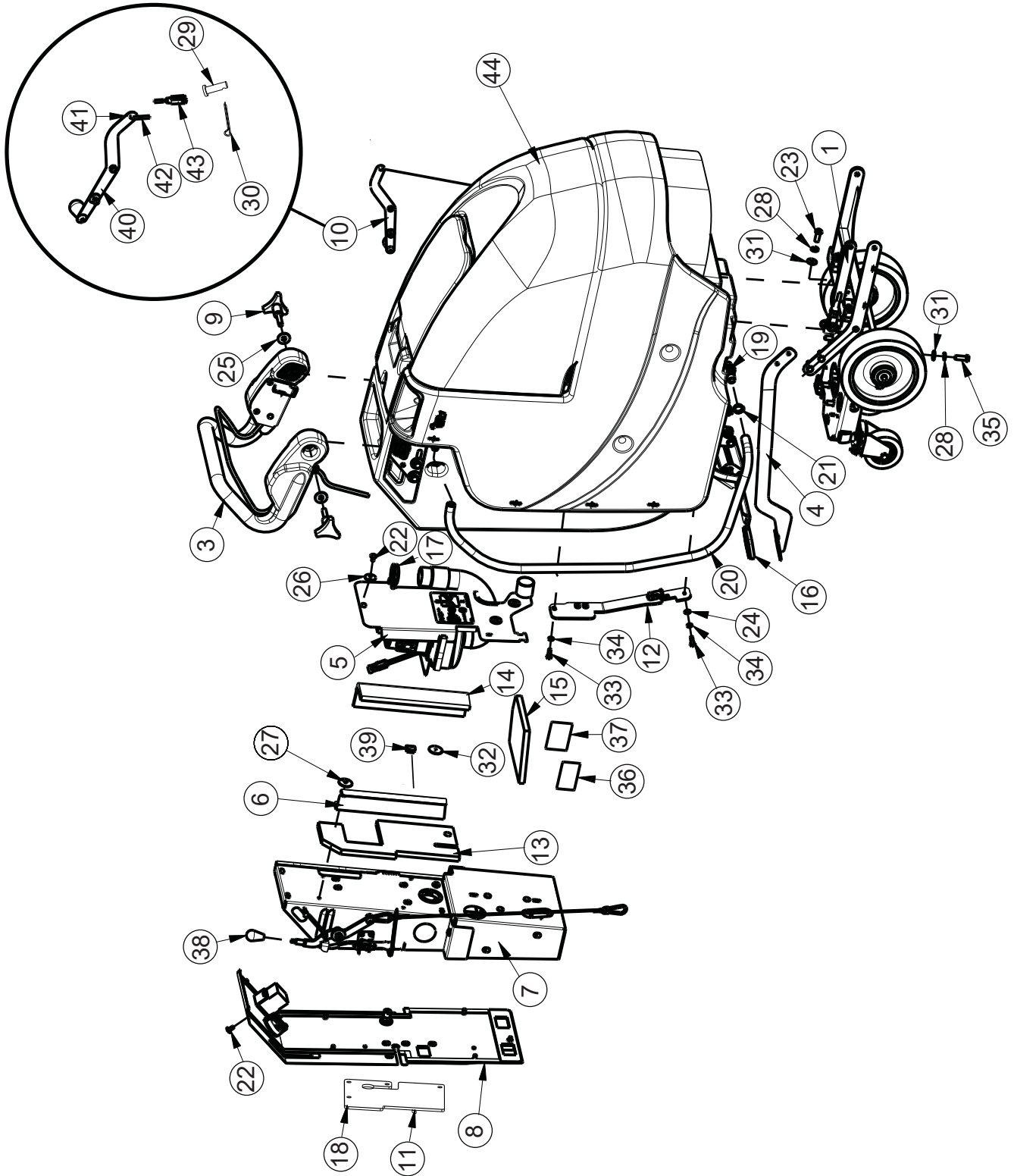
Note: Models with the black tri-lobe brush hub will require the conversion kit part number K-E1720HUB before using the brushes listed above





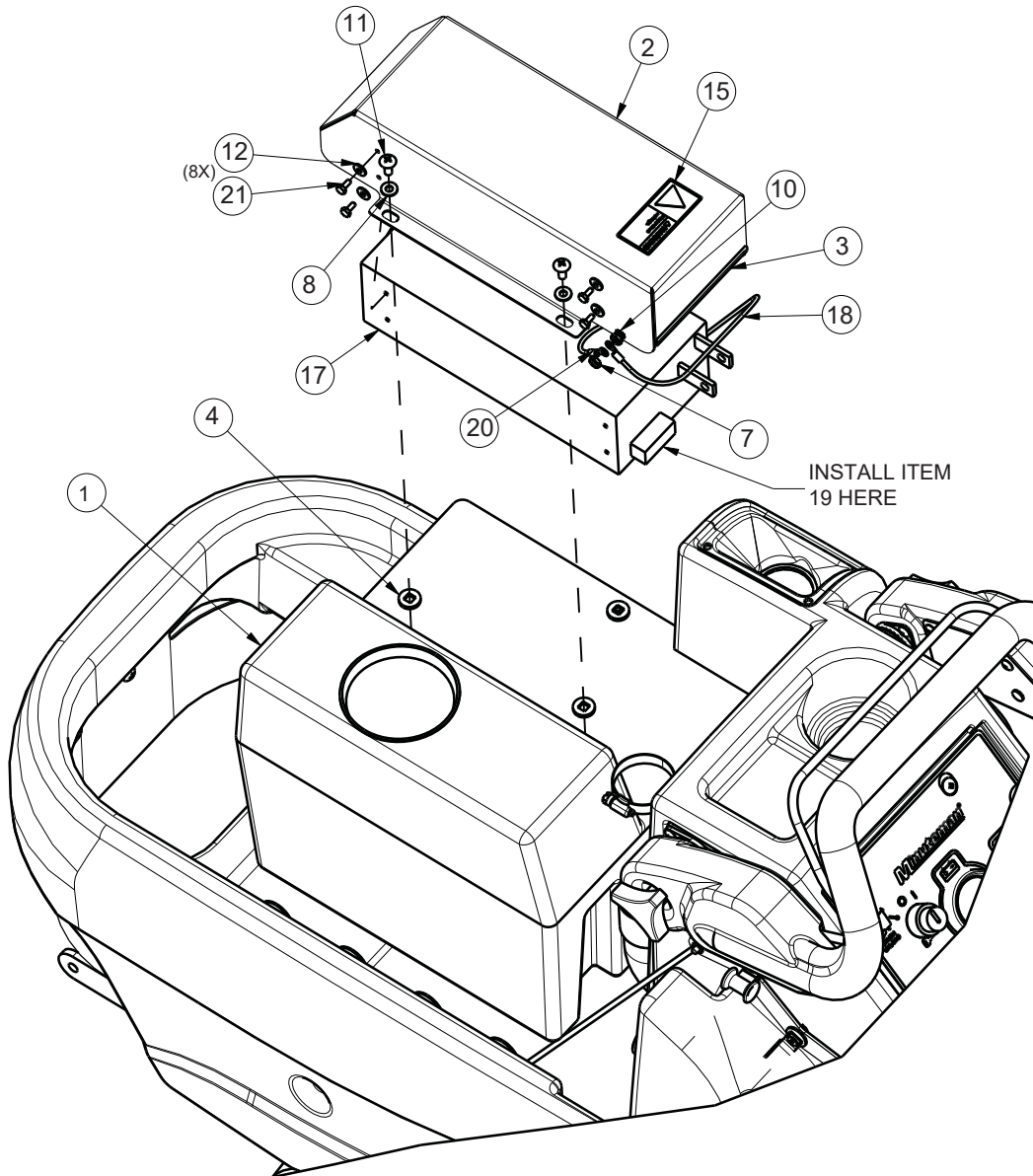
ITEM	PART NO.	QTY	DESCRIPTION
1	172010	1	HOSE, CLEAR VAC W/ 45 CUFF, E20
2	172018	1	SOLUTION TANK LID ASSY
3	172100	1	BRUSH DECK ASSY 20"
4	172520-2	1	20" PAD DRIVER - 230V-SEE BELOW FOR RETAINER
5	172150	1	SQUEEGEE LIFT MECH ASSY
6	172159	1	FILTER, FILL PORT, ES1720
7	172534-1	1	SQUEEGEE, 34" (860)
8	450076	1	CLAMP-CRIMP 185R SS
9	711118	1	SCR-ST-A 10 X .75 SS
10	711374	1	NUT-NYLOC 5/16-18
11	711375	3	NUT-NYLOC 3/8-16 X 1/2 NUT
12	711523	1	WSR-WAVE .37X .68 X .08
13	711569	1	WSR-FLT .390 X .880 X .062 NYL
14	711592	6	WSR-FLAT .506 X .9 X .064 NYL
15	712143	1	BLT-SHLD 3/8 X 2.0, 5/16-18
16	712301	2	WSR-FLAT .37 X .87 X .06
17	715920	2	DECAL, E20
21	172501	1	E1720 ELECTRIC BD MAIN ASSY, 115V
21CE	172502	1	E1720 ELECTRIC BD MAIN ASSY, 230V
22	712099PLT	3	BLT- SHLDR 1/2 X 1/2 ZINC PLT
23	715914W	1	DECAL, MINUTEMAN W/SWOOSHES, WHITE
24	172008	1	SOLUTION TANK LID
25	172123	1	CHAIN, BEADED SS W/EYELETS
26	712145	1	SCR-MC 6-32 X .37 PPH SS
26	712145	1	SCR-MC 6-32 X .37 PPH SS

BRUSH OPTIONS			
		AQUA STOP BRUSHES	
762394	PAD RETAINER, FIXED - NOT SHOWN	7951-01	BRUSH, 20" LIGHT-MED PP.5 A/S, WHITE
762370	PAD RETAINER, REMOVEABLE - NOT SHOWN	7951-02	BRUSH, 20" LIGHT-MEDIUM A/S, K901, BLACK
172520-1	BRUSH, 20" NYLON	7951-03	BRUSH, 20" MEDIUM NYLON 600GR. A/S, GREY
172520-3	BRUSH-DISC, 20" NYLO-GRIT 80GR, GREEN	7951-04	BRUSH, 20" MEDIUM-HEAVY PP.8 A/S, WHITE
172520-6	DISC BRUSH 20", SCRUB GRIT 2, 120GR RED	7951-05	BRUSH, 20" HEAVY NYLON 180GR. A/S, GREY
		7951-06	BRUSH, 20" HEAVY-2 NYL 120GR. A/S, GREEN

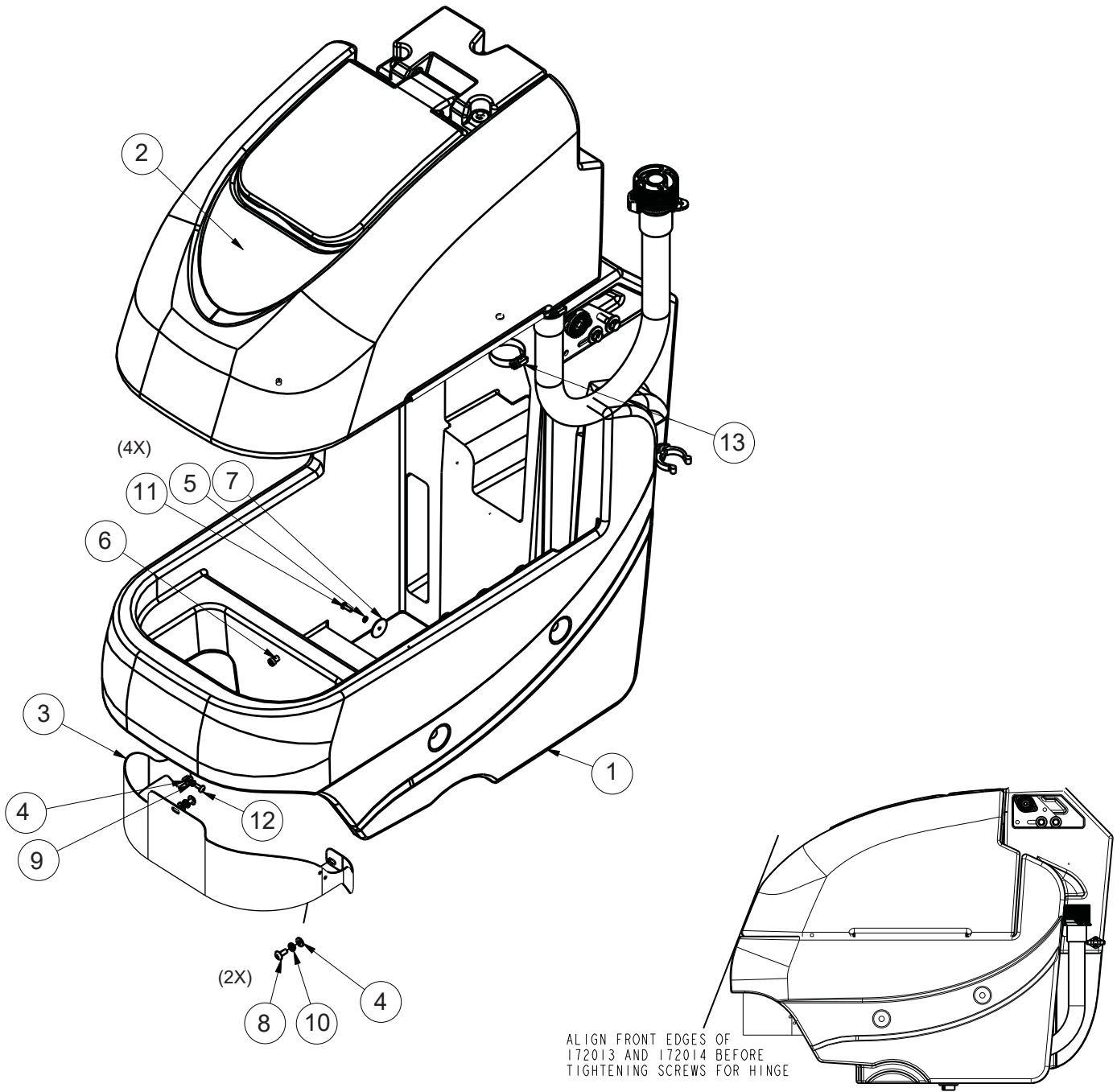


# Brush Drive Base Assembly BOM

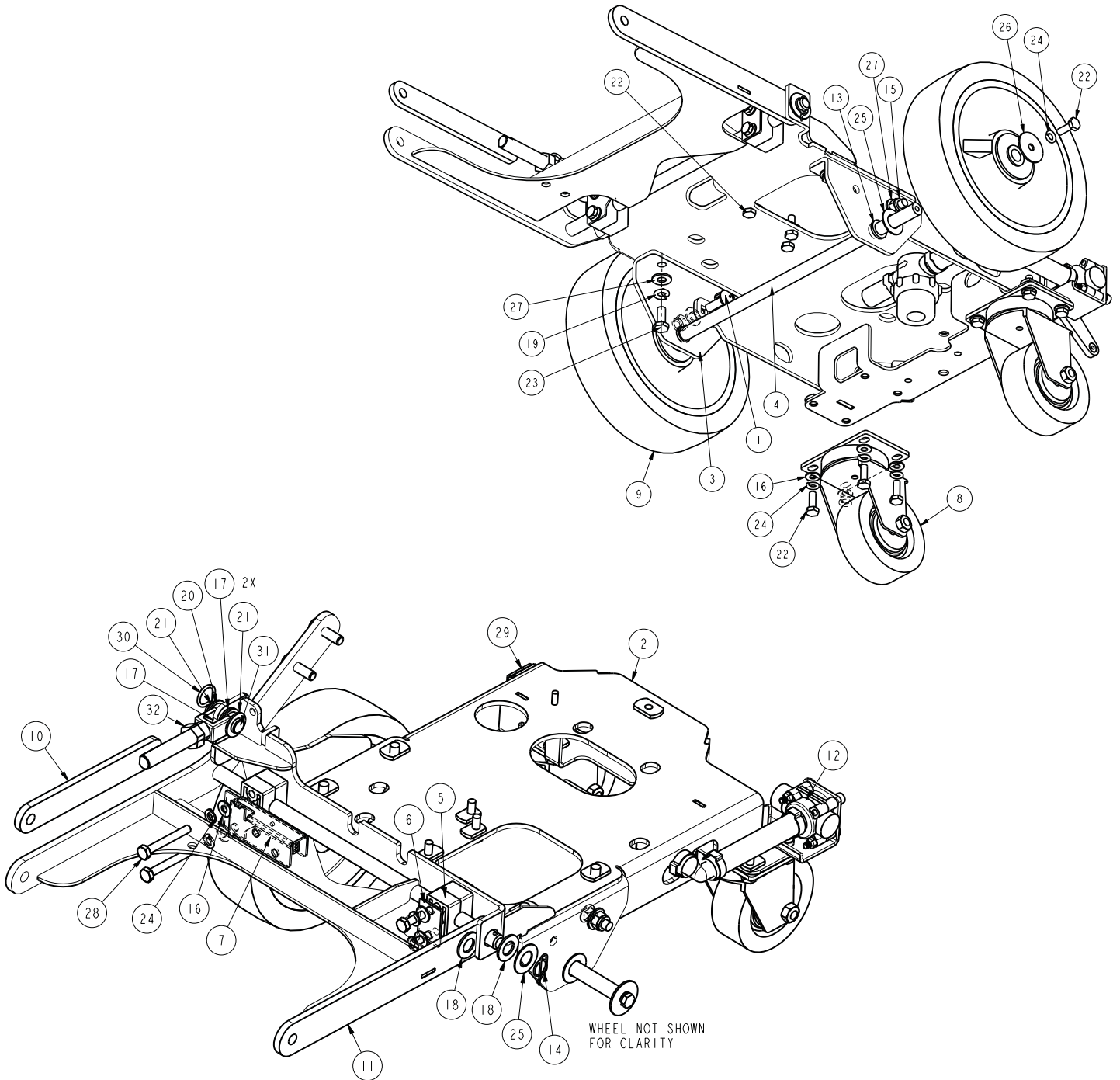
BILL OF MATERIAL - 172501/172502							
ITEM	PART #	QTY	DESCRIPTION	ITEM	PART #	QTY	DESCRIPTION
1	172002	1	E17 BD CHASSIS ASSY	23	710985	2	SCR-BHSCS 3/8-16 X .625 ZP
3	172016	1	BD HANDLE ASSY, E1720	24	711504	1	WASHER-FLAT 1/4 SS
4	172032	1	LIFT PEDAL WMT	25	711507	2	WASHER-FLAT 3/8 X 1.12 X .06
5	172050	1	VAC MOTOR ASSY	26	711519	3	WASHER-FLAT 1/4 X 1.00 X .06 ZP
6	172055	1	BKT, VAC AREA INSIDE COVER	27	711543	2	WASHER-LOCK #10 SPLIT ZP
7	172505	1	ELEC BOX ASSY, E1720 ELECTRIC	28	711546	6	WASHER-LOCK 3/8 SPLIT ZP
8	172503	1	COVER ASSY, BD DASH, E1720 ELECTRIC	29	711803	1	PIN-COTTER .06 X .75
9	172085	2	KNOB, 3/8-16 STUD, 3LOBE	30	712117	1	PIN-CLEVIS 3/16 X .593
10	172112	1	SOL CONTROL ASSY	31	712301	8	WASHER-FLAT 3/8 X .87 X .06 ZP
11	172529	1	BKT, PWR CORD MOUNT, 3/4 HOLE, 115	32	712312	2	WASHER-BALANCING .187 X 1.25
	172129		BKT, PWR CORD MOUNT, 5/8 HOLE, 230	33	712562	2	SCR-HH 1/4-20 X .75, 18-8 SS
12	172157	1	LIFT PEDAL STOP ASSY	34	712758	2	WASHER-LOCK 1/4 SPLIT SS
13	172184	1	FOAM COVER W/ ADHESIVE	35	713042	4	SCR-HH 3/8-16 X 1.00 ZP GR 5
14	172185	1	FOAM COVER REAR 2, 1/2" THICK	36	715029	1	DECAL-NAME PLATE MODEL ID
15	172187	1	FOAM COVER FRONT 2, 1/2" THICK	37	715047	1	DECAL-CLEAR LAMINATE 2X3
16	210142	1	PEDAL PAD	38	760592	1	KNOB-OVAL TAPERED
17	3303255	1	CLAMP-HOSE 1.75 DIA NOMINAL	39	809443	1	CLIP-WIRE & CORD
18	740108	1	STRAIN RELIEF - 115	40	172115	1	SOLUTION CTRL LEVER ASSY
	293080		STRAIN RELIEF - 230	41	172122	1	NUT, PUSH-ON WSR CAP, 3/16
19	342440	1	FTG-TEE 3/4 MPT X 1/2 HB NYLON	42	172069	1	SOLUTION CONTROL ROD
20	430156	1	HOSE, CLEAR 1/2 ID X 39.75"	43	172062	1	YOKE, 3/16 CLEVIS X 10-32 THD
21	450093	1	CLAMP-CRIMP 3/4" OD STEPLESS	44	172001BASE	1	E1720 BASE ASSY
22	710178	10	SCR-THMS 1/4-20 X .50 ZP				



BILL OF MATERIAL			
ITEM	PART NO.	QTY	DESCRIPTION
1	172455-1	1	WEIGHT BOX, E1720E
2	172456	1	BKT, POWER SUPPLY MOUNT, E20E
3	172457	1	EDGE TRIM, .063 X 5.0, BLACK
4	290014	3	WSR RUBBER .312SQ.75X.12
5	383347	2	CLAMP-CRIMP 1/2 HOSE
6	710985	2	SCR-BHSCS 3/8-16 X .625 ZP
7	711310	2	NUT-HEX 10-32 ZP
8	711504	4	WASHER-FLAT 1/4 SS
9	711505	5	WASHER-FLAT 1/4 ZP
10	711534	1	WASHER-EXT LOCK #10 ZP
11	712565	3	SCR-THMS 1/4-20 X .62 SS
12	712764	8	WASHER-FLAT #10 SS
13	712811	2	SCR-RHMS 10-24 X .50 ZP
14	713002	5	SCR-HH 1/4-20 X .75 ZP 5
15	715646	1	DECAL, HAZ VOLT WARN, 3X1-3/8
16	740108	1	STRAIN RELIEF-HEYCO 1237
17	748123	1	24POWER SUPPLY, OUTPUT 24VDC, 63A
18	748666	1	WIRE ASY, 14G GREEN/YELLOW 20"
19	748925	1	CORD, PIGTAIL TWIST-LOCK, GRAY, 115
	748928		CORD, PIGTAIL CE CONNECTOR, GRAY, 230
20	748927	1	WIRE ASSY, GREEN/YELLOW, 4", 14G
21	11038965	8	BLT-HH M4 X 0.7 X 10 STL ZD 8.8 DIN 933

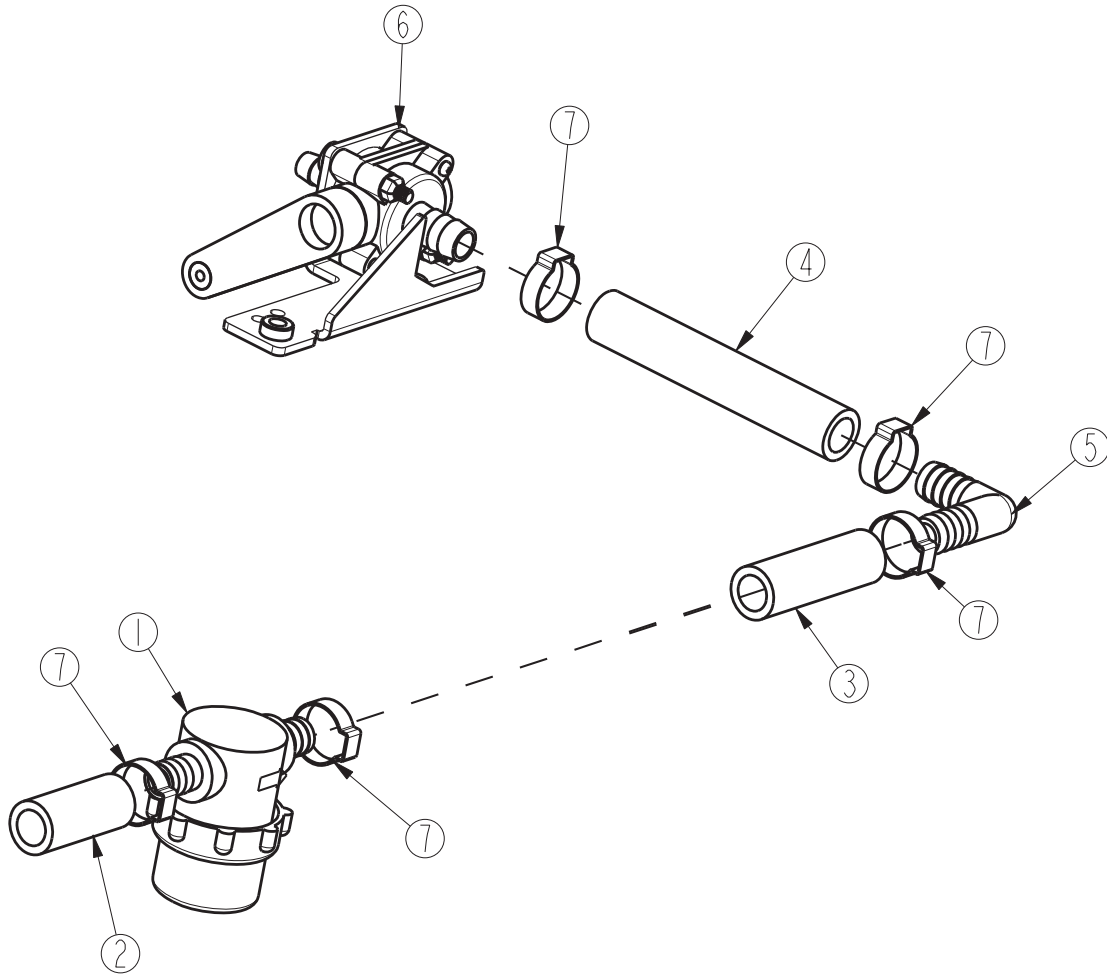


BILL OF MATERIAL - 172001BASE			
ITEM	PART NO.	QTY	DESCRIPTION
1	172013	1	SOLUTION TANK ASSY
2	172014	1	RECOVERY TANK ASSEMBLY
3	172144	1	COVER, FRONT PANEL E1720
4	711504	3	WASHER-FLAT 1/4 SS
5	711543	4	WASHER-LOCK #10 SPLIT ZP
6	712041	1	BLT-SHOULDER 5/16 X .375 LG X 1/4-20 BLK
7	712312	4	WASHER-BALANCING .187 X 1.25
8	712565	2	SCR-THMS 1/4-20 X .62 SS
9	712757	1	WASHER-LOCK #10 SPLIT SS
10	712758	2	WASHER-LOCK 1/4 SPLIT SS
11	712812	4	SCR-PHMS 10-24 X .62 ZP
12	712822	1	SCR-THMS 10-24 X .50 SS
13	3303255	1	CLAMP-HOSE 1.75 DIA NOMINAL

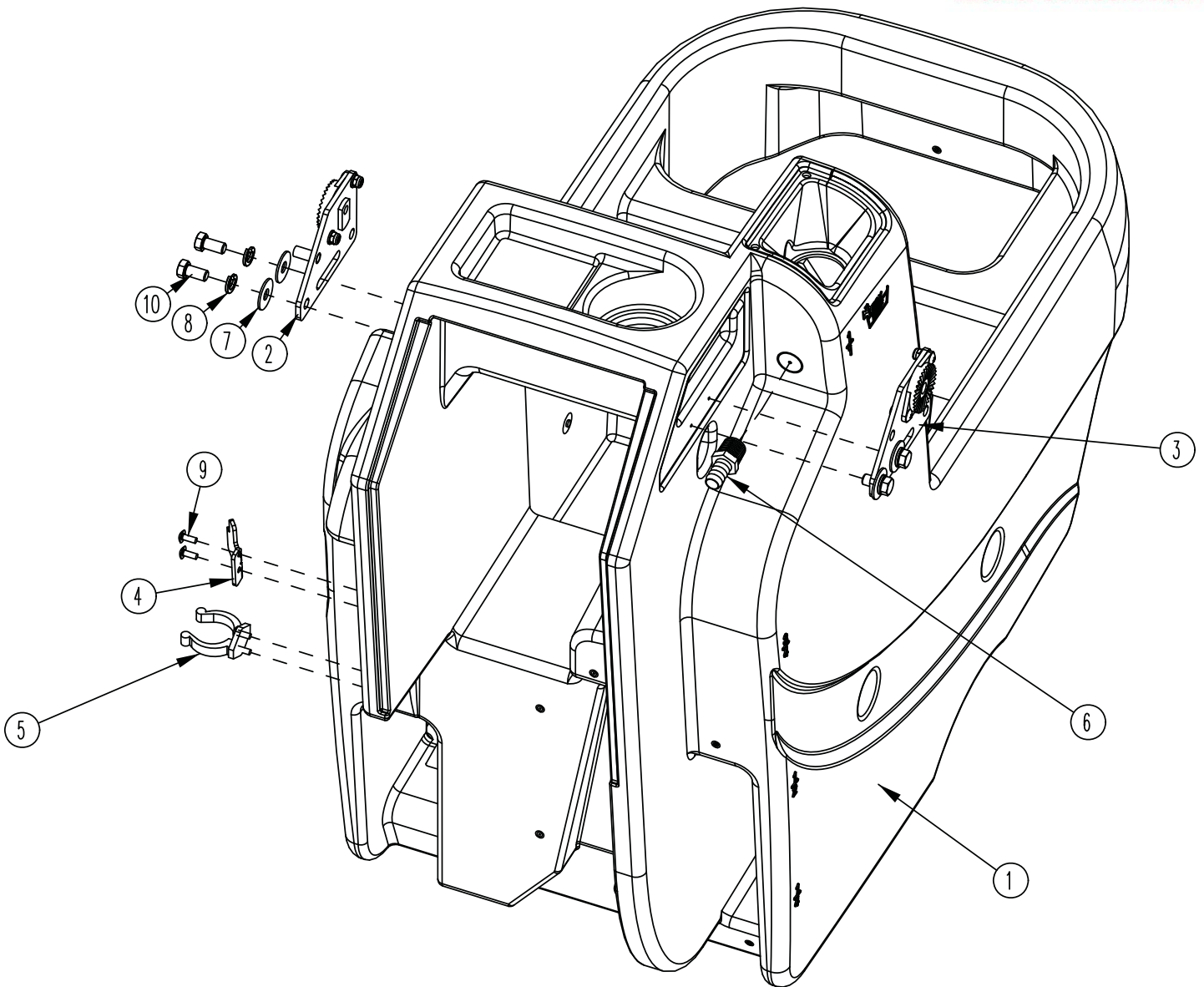




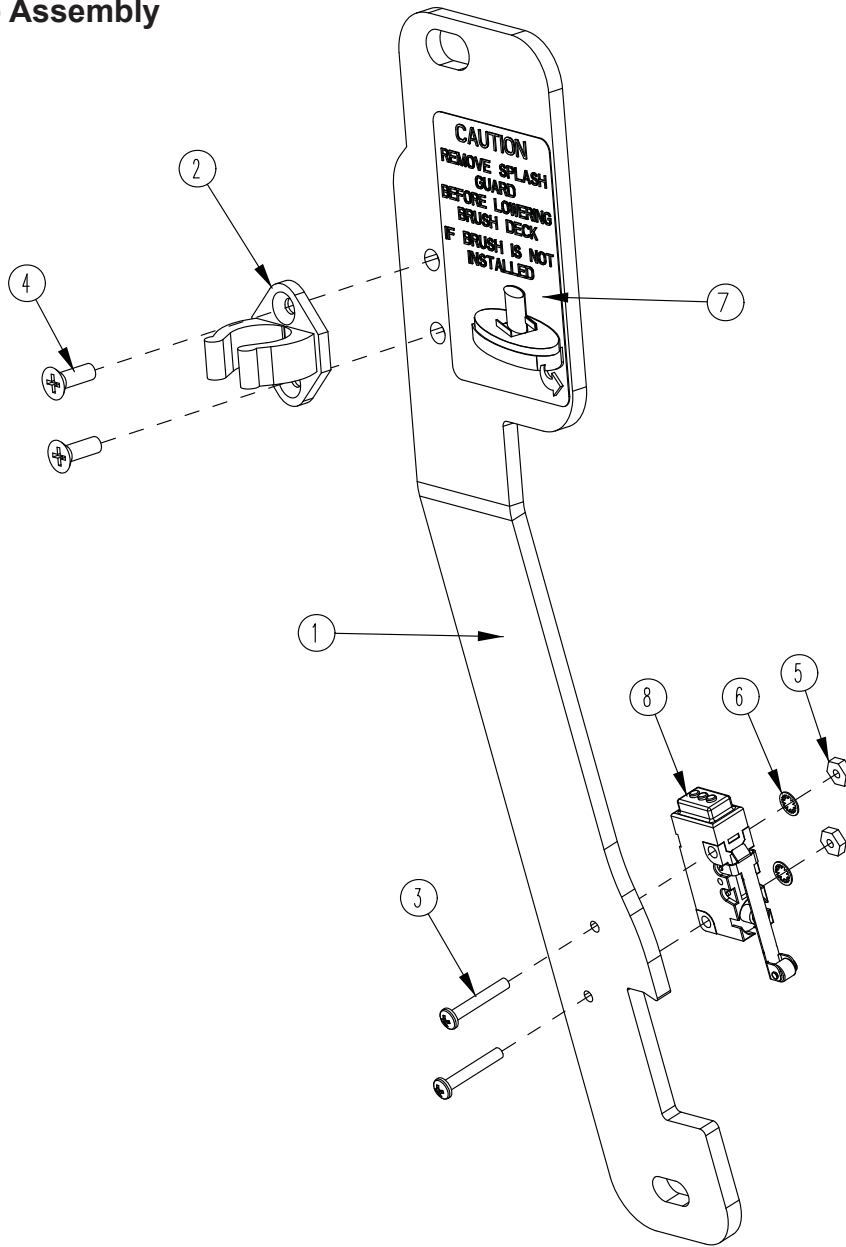
BILL OF MATERIAL - 172002			
ITEM	PART NO.	QTY	DESCRIPTION
1	70-516-16	2	BLT-CARR 5/16-18 X 1 ZP
2	172020	1	E1720 MAIN FRAME WMT
3	172024	2	BKT, WHEEL, E1720BD
4	172035	1	ROD, .5" E1720 AXLE
5	172038	4	BEARING BLOCK
6	172039	1	BEARING BLOCK PLATE
7	172110	1	DECK SWITCH ASSY
8	172167	2	CASTER, 3 1/2" PU WHEEL
9	172265	2	WHEEL, 8X2X.5ID, 75A W/ GROOVES
10	172368	1	UPPER LIFT ARM
11	172370	1	DISC DECK LIFT WMT, E1720
12	172571	1	ASSY-SOLUTION VALVE E1720
13	260041	2	BUSHING-FLG .502 X .627 X .375 OILITE
14	600578	1	RING-RUE .50 ZP
15	711374	2	NUT-NYLOC 5/16-18 ZP
16	711504	12	WASHER-FLAT 1/4 SS
17	711569	3	WASHER-FLAT .390 X .880 X .062 NYL
18	711592	2	WASHER-FLAT 1/2 X .90 X .064 NYLON
19	712140	4	WASHER-LOCK 5/16 SPLIT SS
20	712265	1	CLEVIS-YOKE, 1/2-20 WITH .375 PIN
21	712301	2	WASHER-FLAT 3/8 X .87 X .06 ZP
22	712562	13	SCR-HH 1/4-20 X .75, 18-8 SS
23	712575	4	SCR-HH 5/16-18 X .75 18-8 SS
24	712758	14	WASHER-LOCK 1/4 SPLIT SS
25	712760	3	WASHER-FLAT .56 X 1.06 X .04 SS
26	712761	2	WASHER-FENDER 1/4 X 1.25 X .059 SS
27	712772	6	WASHER-FLAT .344 X .75 X .06 SS
28	713007	4	SCR-HH 1/4-20 X 2.00 ZP GR 5
29	809444	1	CLIP-CORD
30	833374	1	PIN-HAIRPIN COTTER 3/8
31	833833	1	PIN-CLEVIS 3/8 X 1.25
32	3400449	1	NUT-JAM 1/2-20 ZP



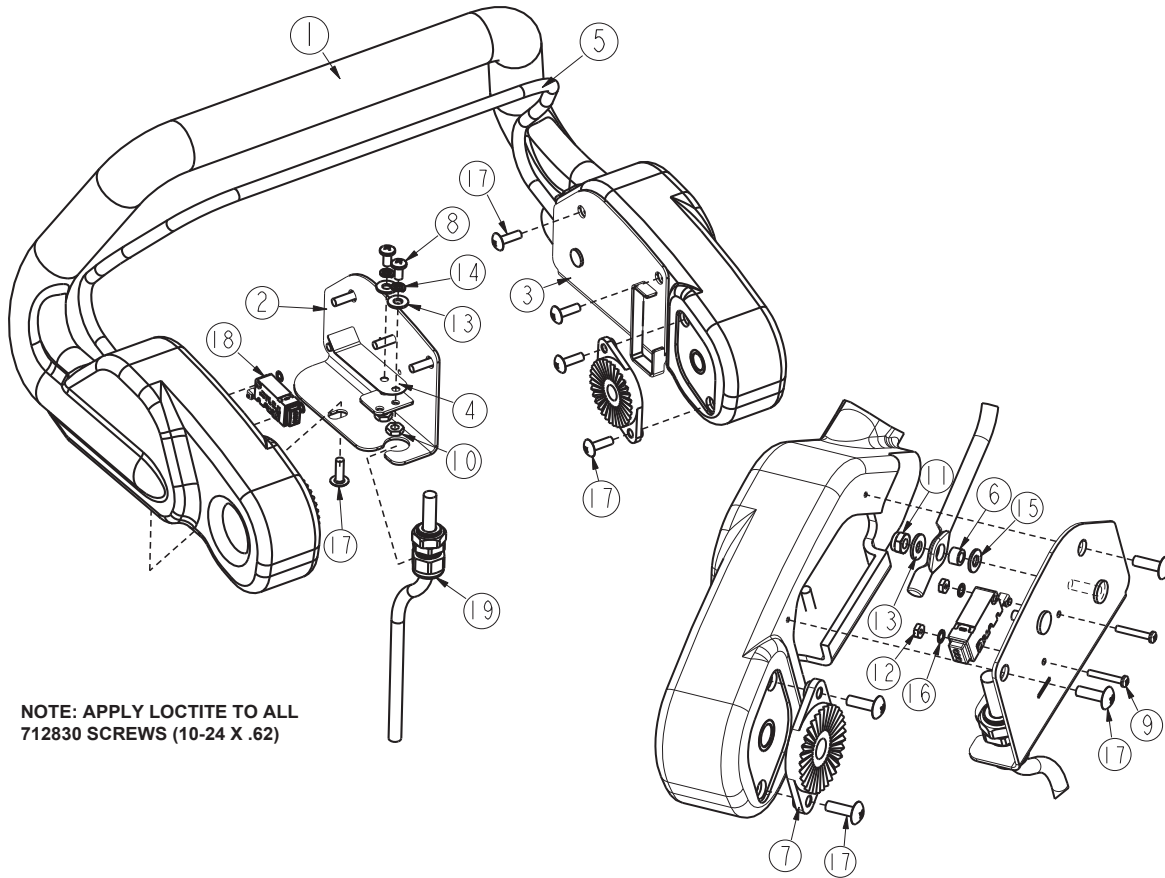
BILL OF MATERIAL - 172571			
ITEM	PART NO.	QTY	DESCRIPTION
1	172564	1	FILTER-SOLUTION E1720
2	172566	1	HOSE- 1/2ID X 1.75" NYLOBRAID
3	172567	1	HOSE-1/2"ID X 2.375" NYLOBRAID
4	172568	1	HOSE-WIRE REINF 1/2"ID X 4.25"
5	172569	1	FTG-ELBOW 90 1/2 HB X 1/2 HB NYLON
6	172579	1	SOLUTION CNTRL VALVE, WITH BRKT
7	383347	5	CLAMP-CRIMP 1/2 HOSE



BILL OF MATERIAL - 172013			
ITEM	PART NO.	QTY	DESCRIPTION
1	172003	1	SOLUTION TANK
2	172080	1	HANDLE MOUNT ASSY, LEFT
3	172082	1	HANDLE MOUNT ASSY, RIGHT
4	172341	1	HOOK, DRAIN HOSE WITH TWIST VALVE
5	260579	1	TOOL CLIP, 1.5" HOSE
6	342438	1	FITTING, 1/2 MPT 1/2 HB BRASS
7	711507	4	WSR-FLAT .37 X 1.12 X .06
8	711546	4	WSR-HELICAL 3/8
9	712822	4	SCR-MC TR HD 10-24 X .50 SS
10	713041	4	BLT-HH 3/8-16 X 3/4 #5



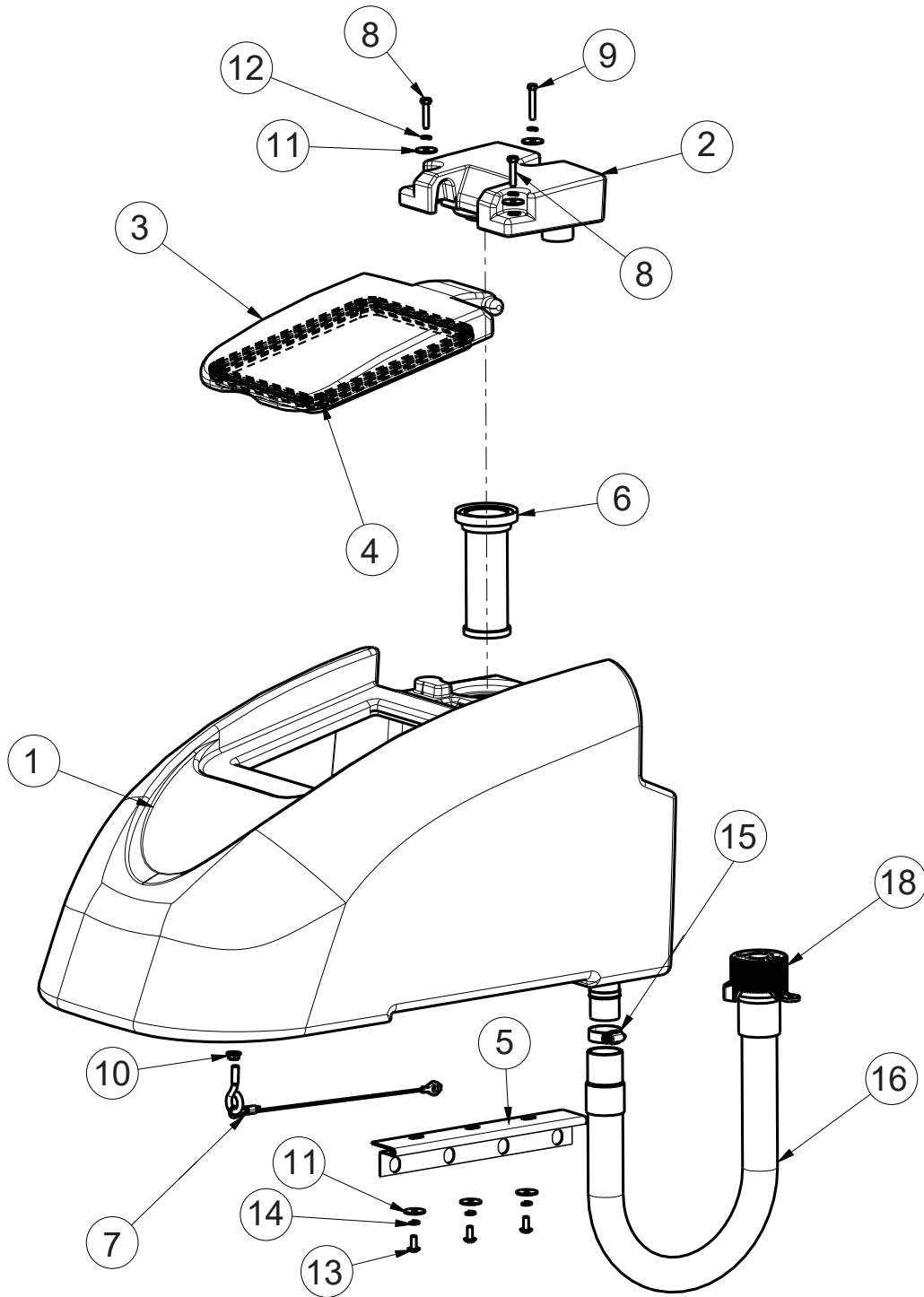
BILL OF MATERIAL - 172157			
ITEM	PART NO.	QTY	DESCRIPTION
1	172036	1	BKT, PEDAL STOP
2	172065	1	CLIP, FOR 1/2" ID HOSE
3	710493	2	SCR-MC 4-40 X .75 PAN HD
4	710530	2	SCR-MC FL HD 8-32 X .50 BRS
5	711428	2	NUT-HEX 4-40
6	712326	2	WSR-INT LOCK #4
7	715685	1	DECAL, REMOVE SPLASH GUARD
8	747603-2	1	SWITCH ASY, MICRO ROLLER W/PACK/CONDUIT



NOTE: APPLY LOCTITE TO ALL  
712830 SCREWS (10-24 X .62)

**BILL OF MATERIAL - 172016**

ITEM	PART NO.	QTY	DESCRIPTION
1	172006	1	HANDLE, ES1720
2	172053	1	BAIL PLATE WMT RH
3	172054	1	BAIL PLATE WMT LH
4	172057	2	LEAF SPRING, ES1720
5	172059	1	ES1720 BAIL, HANDLE
6	172074	2	SPACER, 5/16OD X 17GA, ALUM
7	270143	2	HANDLE PIVOT JAW
8	710353	4	SCR-PHMS 10-32 X .37 ZP
9	710493	2	SCR-RHMS 4-40 X .75 ZP
10	711310	4	NUT-HEX 10-32 ZP
11	711350	2	NUT-NYLOC 10-32 ZP
12	711428	2	NUT-HEX 4-40 ZP
13	711503	6	WASHER-FLAT #10 X .50 ZP
14	711543	4	WASHER-LOCK #10 SPLIT ZP
15	712320	2	WASHER-FLAT 20 X .45 X .048 NYLON
16	712326	2	WASHER-INT LOCK #4 SS
17	712830	10	SCR-THMS 10-24 X .62 ZP
18	747603-3	1	SWITCH ASY, MICRO ROLLER W/PACK
19	747715	1	ABLE ASY, 5 COND 18G CONSOLE

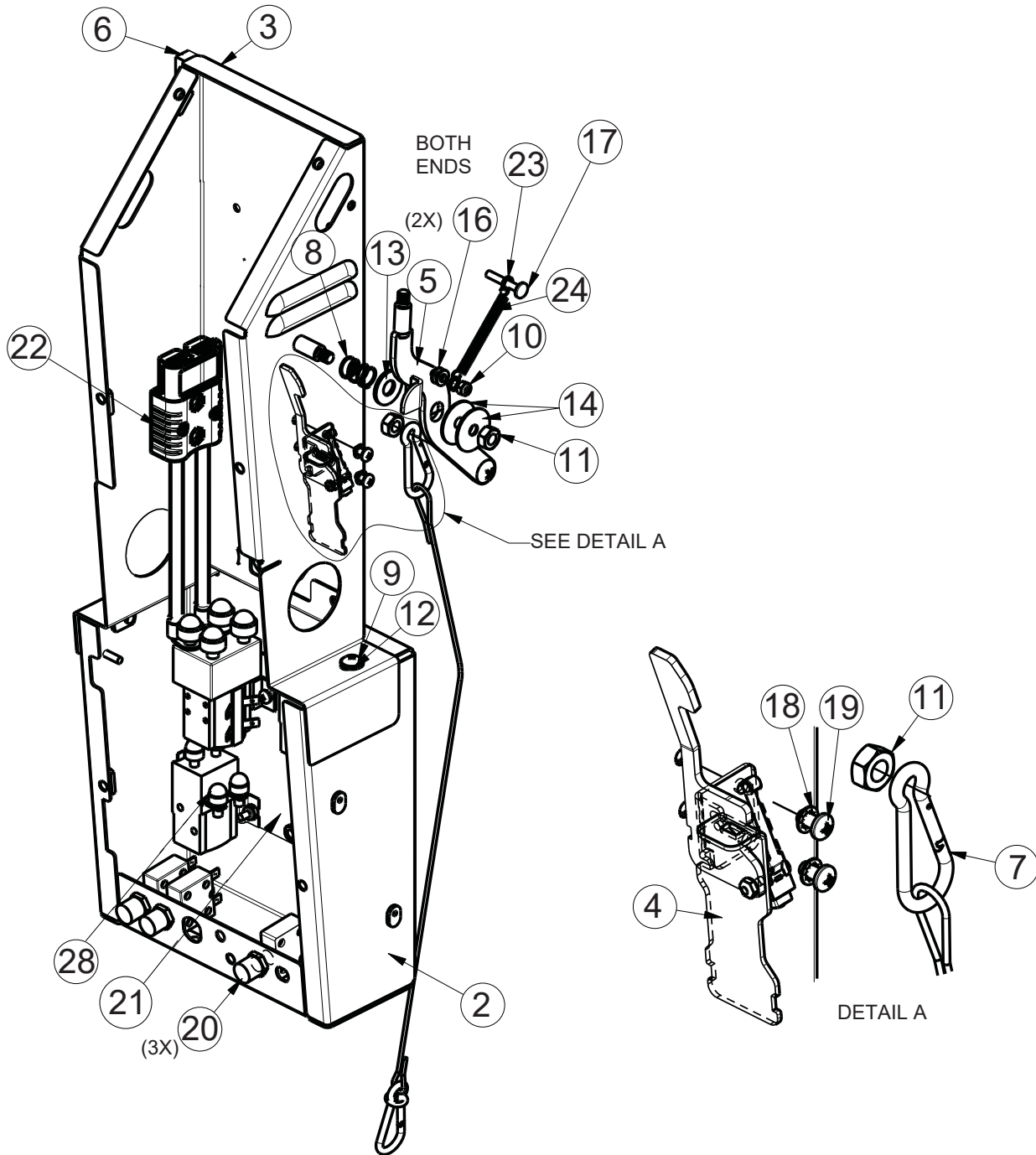


**BILL OF MATERIAL - 172014**

ITEM	PART NO.	QTY	DESCRIPTION
1	172004	1	ES1720 RECOVERY TANK
2	172005	1	ES1720 VACUUM MANIFOLD
3	172007	1	LID, ES1720
4	172017	1	GASKET, ES1720 LID
5	172049	1	HINGE, RECOVERY TANK
6	172132	1	FLOAT, SCREENED
7	172394	1	CABLE, REC TANK 12.0
8	711210	2	SCR-HH 1/4-20 X 1.25 ZP GR 5 FULL THRD
9	711212	1	SCR-HH 1/4-20 X 1.50 ZP GR 5
10	711379	1	NUT-FLANGED WIZZ 5/16-18 ZP
11	711519	6	WASHER-FLAT 1/4 X 1.00 X .06 ZP
12	711544	3	WASHER-LOCK 1/4 SPLIT ZP
13	712565	3	SCR-THMS 1/4-20 X .62 SS
14	712758	3	WASHER-LOCK 1/4 SPLIT SS
15	3303255	1	CLAMP-HOSE 1.75 DIA NOMINAL
16	97090096	1	DRAIN HOSE ASSY, RECOVERY TANK
17	15282072	1	REPLACEMENT O-RING (NOT SHOWN)
18	90304528	1	CAP

**Electrical Box Assembly**

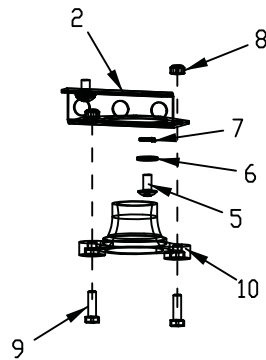
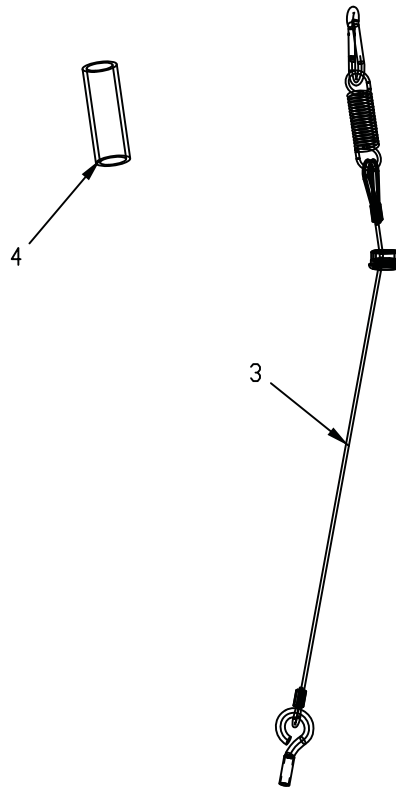
For machines with  
 Curved Squeegee





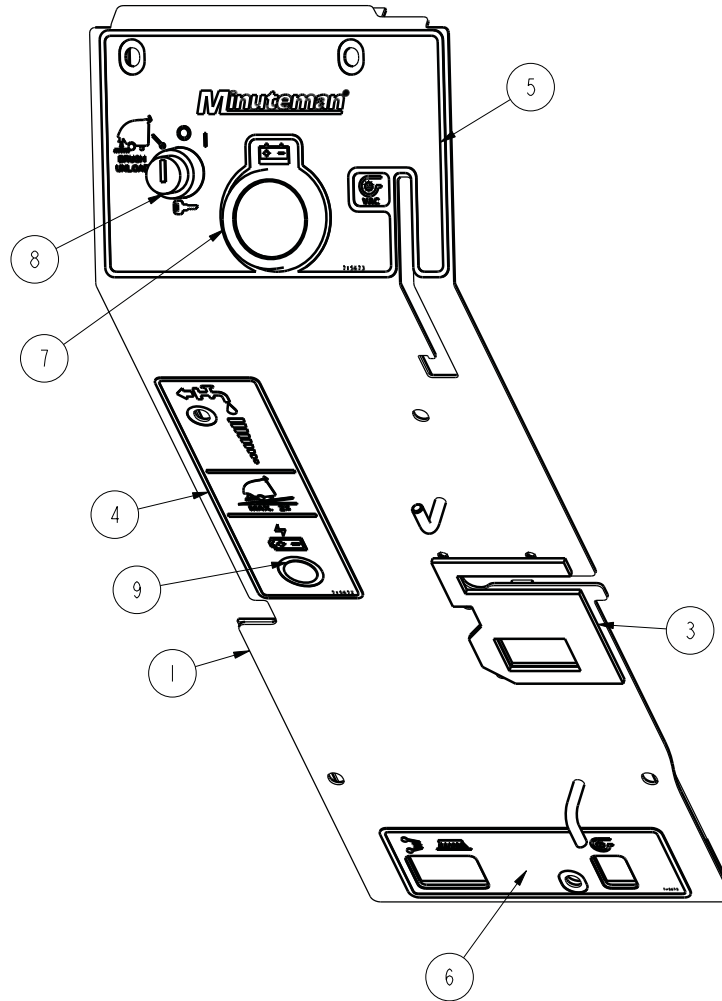
BILL OF MATERIAL - 172505			
ITEM	PART NO.	QTY	DESCRIPTION
2	172077	1	ELEC BOX BOTTOM WMT
3	172088	1	ELEC BOX TOP WMT
4	172141	1	VAC SWITCH ASSY
5	172152	1	WELDMENT-VAC LEVER
6	172188	1	FOAM TAPE, 1/2" SQ X 16.5"
7	172381	1	SQUEEGEE CABLE ASSY
8	670093	1	SPRING-COMP .502 X .6 X 1 ZINC
9	710178	3	SCR-THMS 1/4-20 X .50 ZP
10	711372	1	NUT-NYLOC 8-32 ZP
11	711383	2	NUT-HEX 5/16-18 ZP REVERSE LOC
12	711505	9	WASHER-FLAT 1/4 ZP
13	711508	1	WASHER-FLAT 3/8 X 1.00 X .08 ZP
14	711516	2	WASHER-FLAT 5/16 X 1.25 X .05 ZP
16	712320	2	WASHER-FLAT 20 X .45 X .048 NYLON
17	712533	1	SCR-PHMS 10-24 X 1.25 SS
18	712770	6	WASHER-INT TOOTH LOCK #10 SS
19	712810	6	SCR-RHMS 10-24 X .37 ZP
20	742748	3	CIRCUIT BREAKER-BOOT
21	747630	1	ELECTRICAL PANEL ASY, E1720BD
22	747637	1	WIRE ASY, MACHINE-BATTERY E1720
23	760134	2	MOUNT RING
24	762084	1	SPRING-EXT .25OD X 2" F.L. MUSIC
28	15592033	2	CAP, SAFETY NUT COVER M8

For machines with  
Straight Squeegee



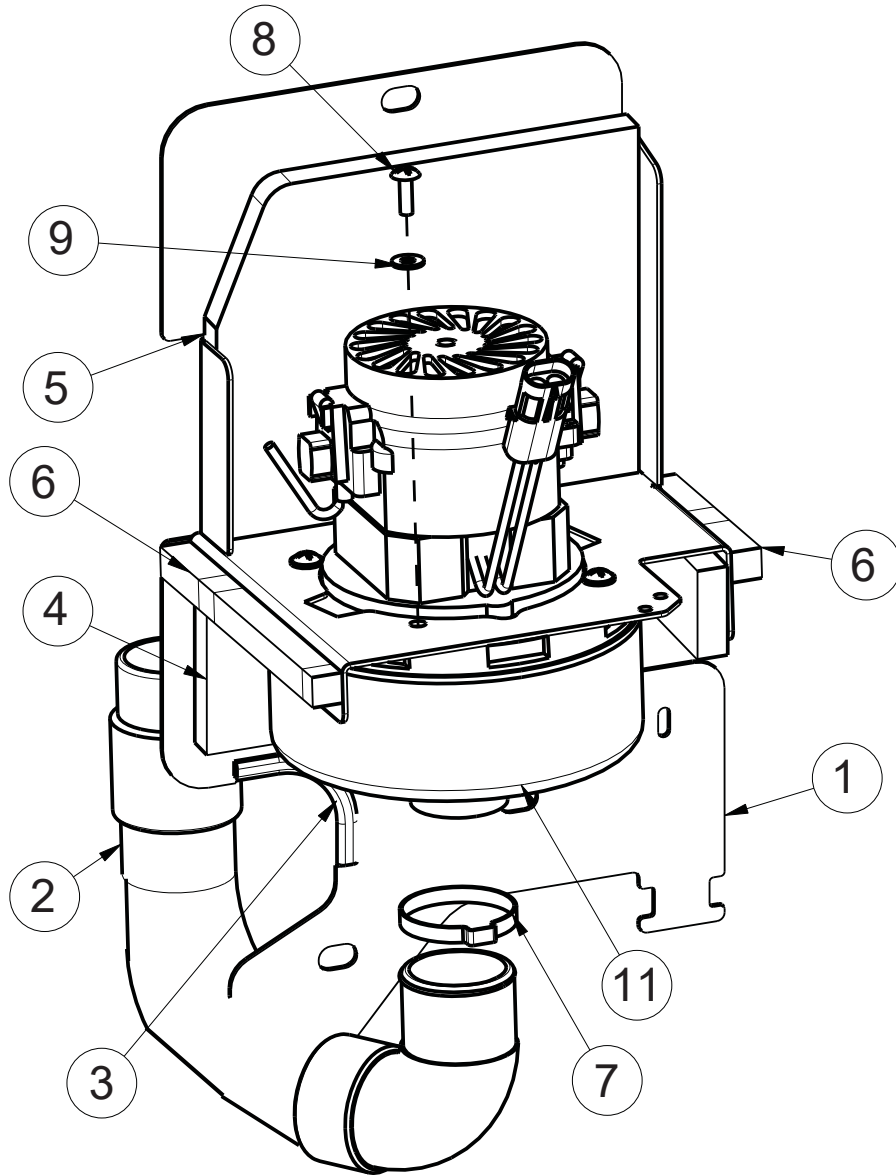
For machines with **Straight Squeegee**  
Replace Cable Assembly and reference these additional parts

ITEM	PART NO.	QTY	DESCRIPTION	ITEM	PART NO.	QTY	DESCRIPTION
1	719	1	LOCTITE	6	711505	2	WASHER-FLAT 1/4 ZP
2	172128	1	BKT, LOWER BUSHING MOUNT	7	711544	2	WASHER-LOCK 1/4 SPLIT ZP
3	172149	1	CABLE, SQUEEGEE LIFT ASSY, E17BD	8	717018	2	NUT-NYLOC M6 X 1.0 ZP
4	172331	1	PIPE, 3/4 X 3.0" SCHD 40 PVC	9	717022	2	SCR-HH M6-1.0 X 20 ZP CLASS 8.8
5	710178	2	SCR-THMS 1/4-20 X .50 ZP	10	90508391	1	BUSHING, CABLE GUIDE, HAKO

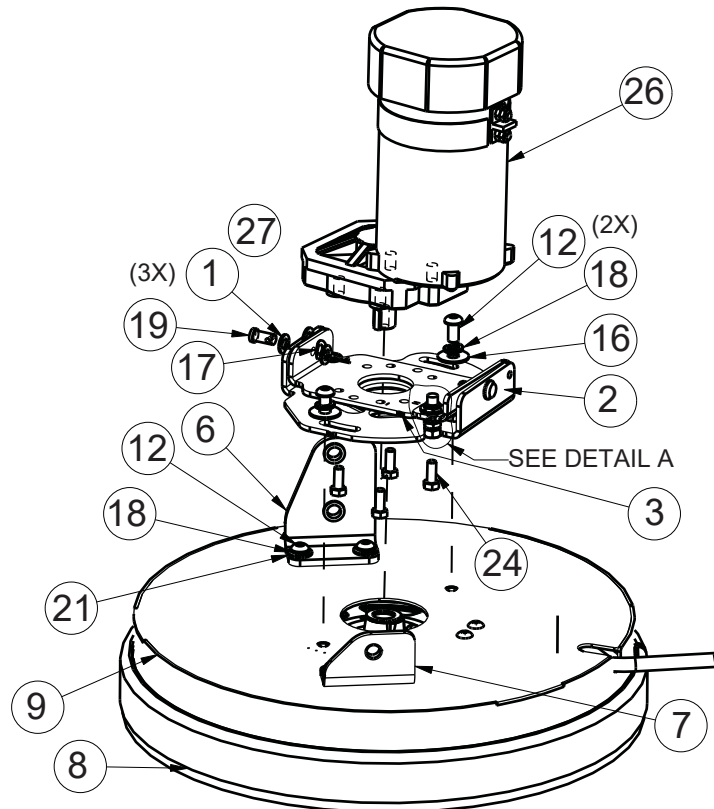
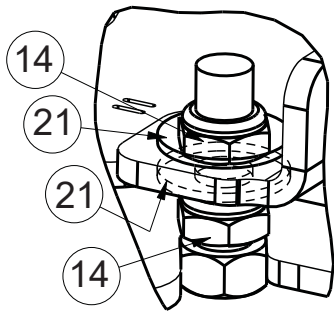
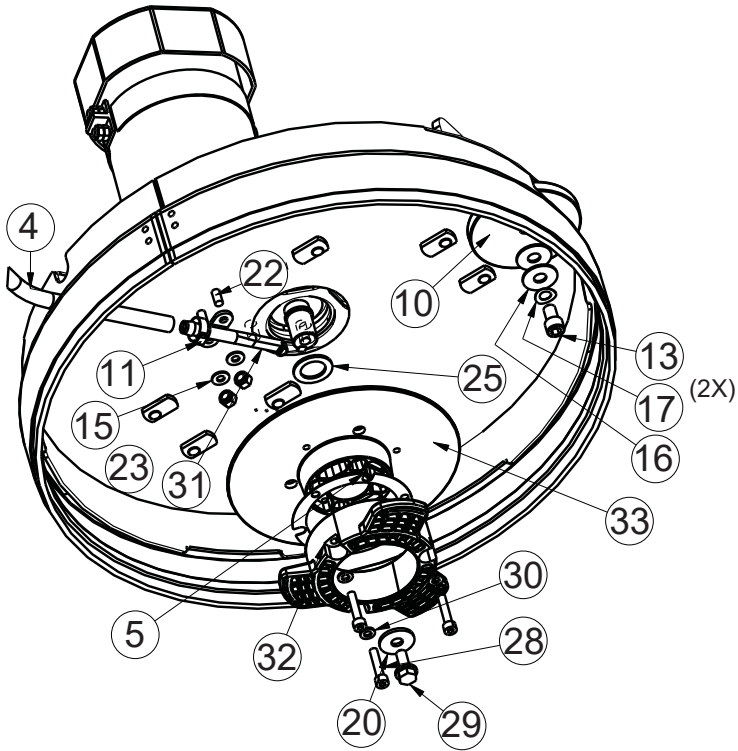


**BILL OF MATERIAL - 172503**

ITEM	PART NO.	QTY	DESCRIPTION
1	172181	1	BD COVER WMT
2	172193	1	GASKET, CB OUTLINE (NOT SHOWN)
3	172194	1	GASKET, CHARGER CORD PLATE
4	715672	1	DECAL, CHARGE STATUS, SOLUTION CTRL
5	715673	1	DECAL, BD DASHBOARD, ES1720
6	715675	1	DECAL, BD CIRC BKRS, ES1720
7	740216	1	GAUGE-BATTERY COND
8	747617-1	1	KEYSWITCH ASY, KEYSWITCH + HARN E1720BD
9	3301669	1	PLUG-PLASTIC, 11/16 DIA

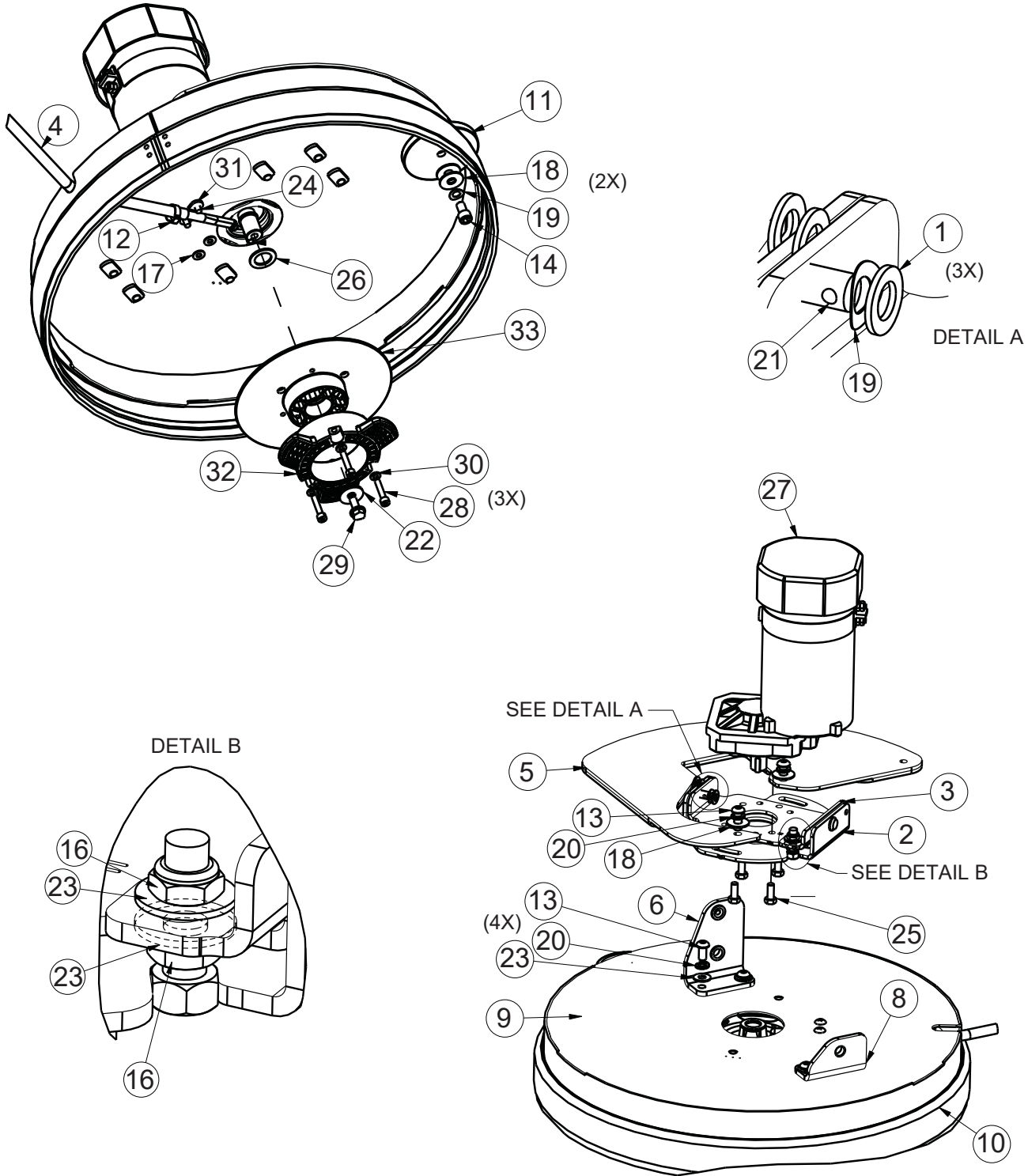


BILL OF MATERIAL - 172050			
1	172045	1	VAC MOUNT WMT
2	172048	1	HOSE, STRETCH 13", 90 CUFF
3	172124	1	EDGE TRIM, .063 X 3.0, BLACK
4	172186	1	FOAM COVER FRONT 1, 1/2 THICK
5	172187	1	FOAM COVER FRONT 2, 1/2" THICK
6	172188	.5	FOAM TAPE, 1/2" SQ X 16.5"
7	450095	1	CLAMP-CRIMP 1.75" OD
8	711160	4	SCR-HI/LO 10 X .625 BLACK ZINC
9	711503	4	WASHER-FLAT #10 X .50 ZP
10	715967	1	DECAL - WARNING, DO NOT PICK UP (NOT SHOWN)
11	747607-1	1	VAC MOTOR ASY, 24V PERIF BYPASS
	747665-1		VAC MOTOR ASSY, HOSP VERSION



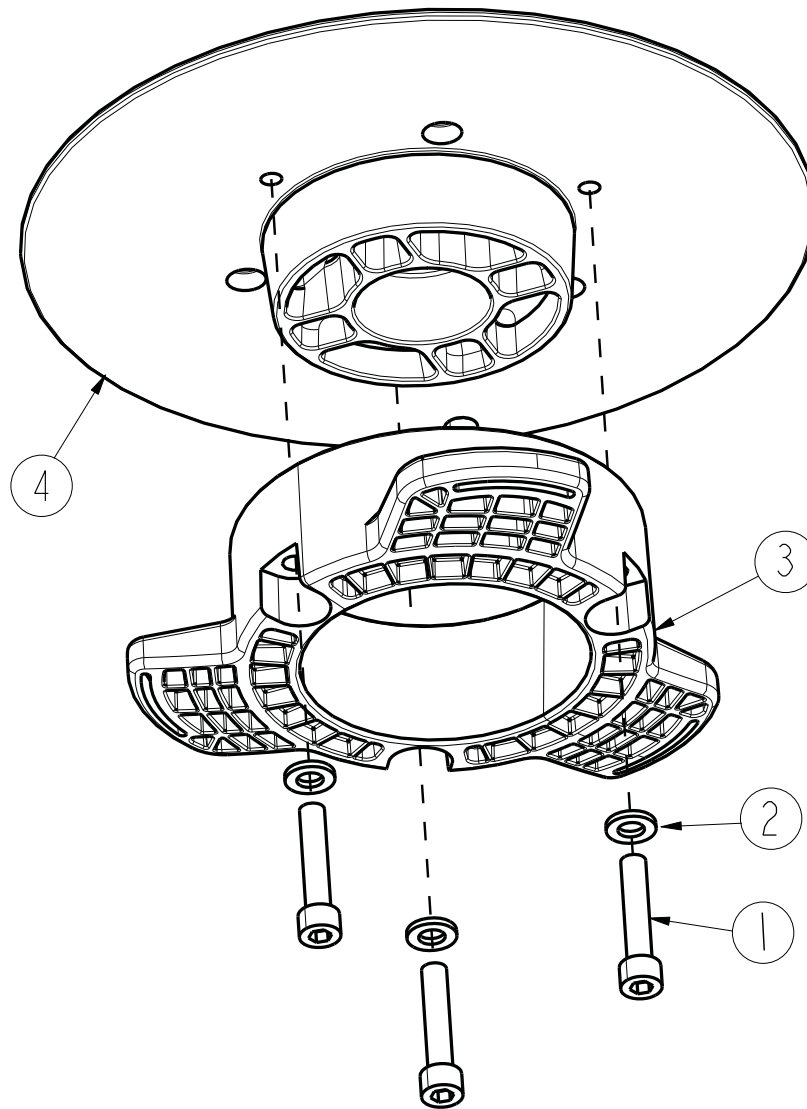
**BILL OF MATERIAL - 172090**

ITEM	PART NO.	QTY	DESCRIPTION
1	81-166-A	6	WASHER-FLAT .390 X .687 ZP
2	172040	1	WELDMENT-DECK ANGLE ADJUST
3	172044	1	PLATE MOTOR MOUNT
4	241097	1	HOSE-WIRE REINF 3/8 X 31"
5	172210	1	SPACER, HUB
6	172296	1	BKT, E1720 DECK MOUNT RT
7	172297	1	BKT, E1720 DECK MOUNT LEFT
8	172363-1	1	E17 DECK SKIRT
9	172365	1	17" BRUSH DECK WMT
10	210153	1	ROLLER WHEEL
11	450076	1	CLAMP-HOSE 5/8 (.590-.791) SS
12	710990	6	SCR-BHSCS 3/8-24 X .75 ZP
13	710991	1	SCR-HH 3/8-24 X .62 ZP GR 5
14	711375	2	NUT-NYLOC 3/8-16 ZP
15	711504	2	WASHER-FLAT 1/4 SS
16	711507	4	WASHER-FLAT 3/8 X 1.12 X .06
17	711523	3	WASHER-WAVE .37 X .68 X .08
18	711546	6	WASHER-LOCK 3/8 SPLIT ZP
19	711679	2	PIN-CLEVIS 3/8 X .750 ZP
20	711855	1	WASHER-FENDER 3/8 X 1.12 X .10 ZP HARD
21	712301	6	WASHER-FLAT 3/8 X .87 X .06 ZP
22	712565	2	SCR-THMS 1/4-20 X .62 SS
23	712667	2	NUT-NYLOC 1/4-20 SS
24	717024	4	SCR-HH M8-1.25 X 20 ZP GRADE 8.8
25	717025	1	WASHER-FLAT 13/16 X 1.25 X .08 ZP
26	747600	1	MOTOR, 24VDC PM 600W
27	3400125	2	RING-RUE 3/8
28	11127000	3	SCR-SHCS M6X30 SS, ISO4762
29	11717203	1	BLT-HH FLG M8X1.25X20 PRECOTE, ZD 10.9
30	12310256	3	WSR-FLT 6.4X12X1.6, SS DIN125
31	90311663	1	FITTING, WATER NOZZLE W/ MOUNT HOLES
32	90541814	1	DRIVE HUB, PLASTIC, 3-LOBE
33	172096MCH	1	HUB BASE MACHINED

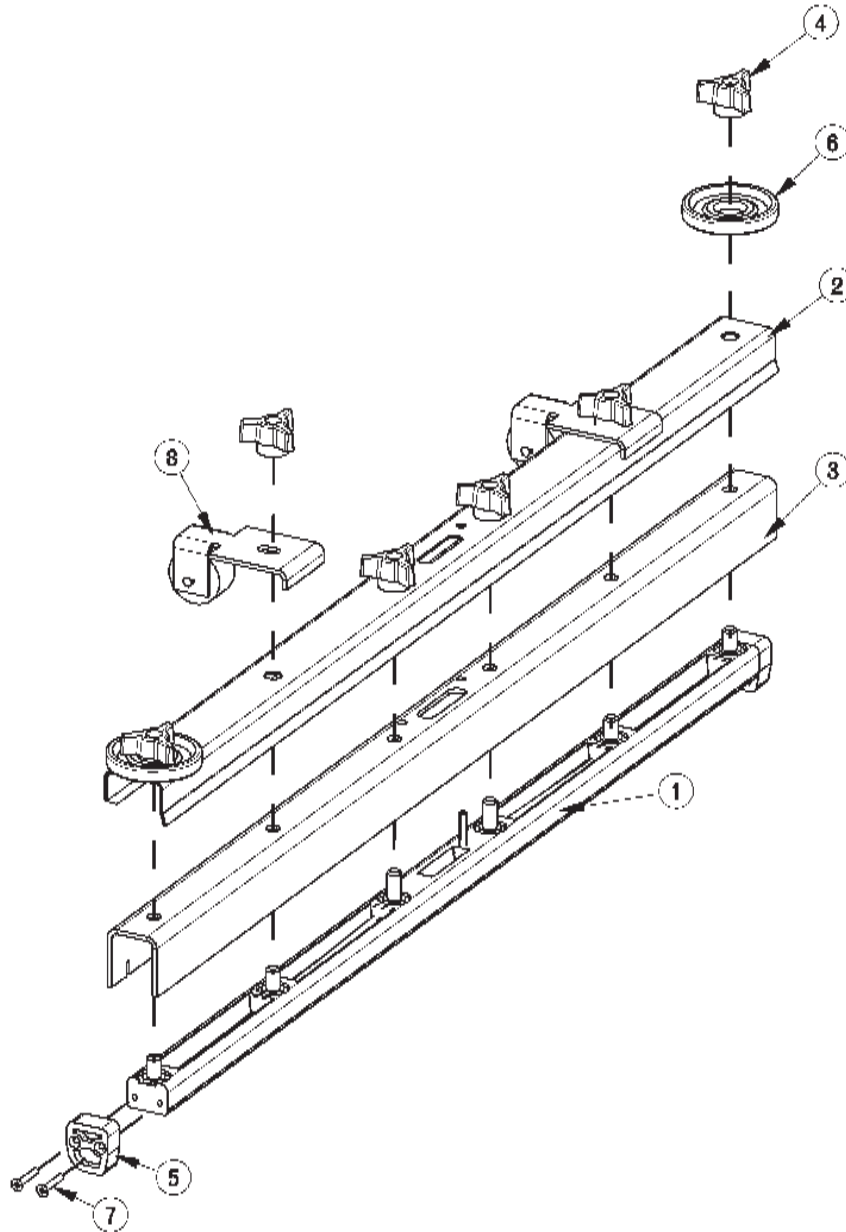




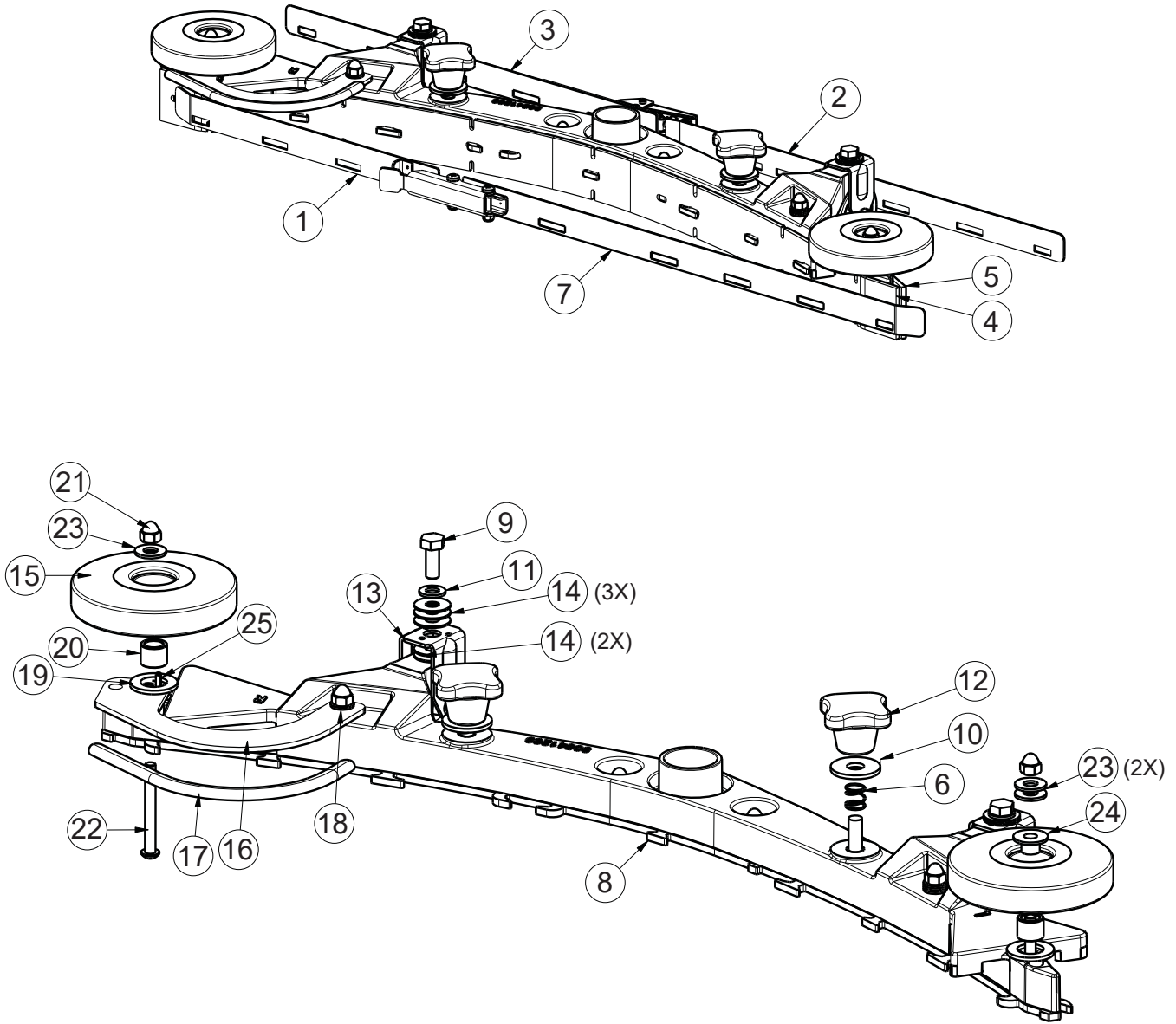
BILL OF MATERIAL - 172100			
ITEM	PART NO.	QTY	DESCRIPTION
1	81-166-A	6	WASHER-FLAT .390 X .687 ZP
2	172040	1	WELDMENT-DECK ANGLE ADJUST
3	172044	1	PLATE MOTOR MOUNT
4	241097	1	HOSE-WIRE REINF 3/8 X 31"
5	172208	1	E20 BRUSH DECK PLATE
6	172296	1	BKT, E1720 DECK MOUNT RT
8	172297	1	BKT, E1720 DECK MOUNT LEFT
9	172375	1	DECK COVER WMT, 20"
10	172384	1	E20 FLOATING BRUSH DECK SKIRT
11	210153	1	ROLLER WHEEL
12	450076	1	CLAMP-HOSE 5/8 (.590-.791) SS
13	710990	6	SCR-BHSCS 3/8-24 X .75 ZP
14	710991	1	SCR-HH 3/8-24 X .62 ZP GR 5
16	711375	2	NUT-NYLOC 3/8-16 ZP
17	711504	2	WASHER-FLAT 1/4 SS
18	711507	4	WASHER-FLAT 3/8 X 1.12 X .06
19	711523	3	WASHER-WAVE .37 X .68 X .08
20	711546	6	WASHER-LOCK 3/8 SPLIT ZP
21	711679	2	PIN-CLEVIS 3/8 X .750 ZP
22	711855	1	WASHER-FENDER 3/8 X 1.12 X .10 ZP HARD
23	712301	6	WASHER-FLAT 3/8 X .87 X .06 ZP
24	712565	2	SCR-THMS 1/4-20 X .62 SS
25	717024	4	SCR-HH M8-1.25 X 20 ZP GRADE 8.8
26	717025	1	WASHER-FLAT 13/16 X 1.25 X .08 ZP
27	747600	1	MOTOR, 24VDC PM 600W
28	11127000	3	SCR-SHCS M6X30 SS, ISO4762
29	11717203	1	BLT-HH FLG M8X1.25X20 PRECOTE, ZD 10.9
30	12310256	3	WSR-FLT 6.4X12X1.6, SS DIN125
31	90311663	1	FITTING, WATER NOZZLE W/ MOUNT HOLES
32	90541814	1	DRIVE HUB, PLASTIC, 3-LOBE
33	172096MCH	1	HUB BASE MACHINED



BILL OF MATERIAL - 172510			
ITEM	PART NO.	QTY	DESCRIPTION
1	11127000	3	SCR-SHCS M6X30 SS, ISO4762
2	12310256	3	WSR-FLT 6.4X12X1.6, SS DIN125
3	90541814	1	DRIVE HUB, PLASTIC 3 LOBE
4	172096MCH	1	BASE, DRIVE HUB WITH KEYWAY

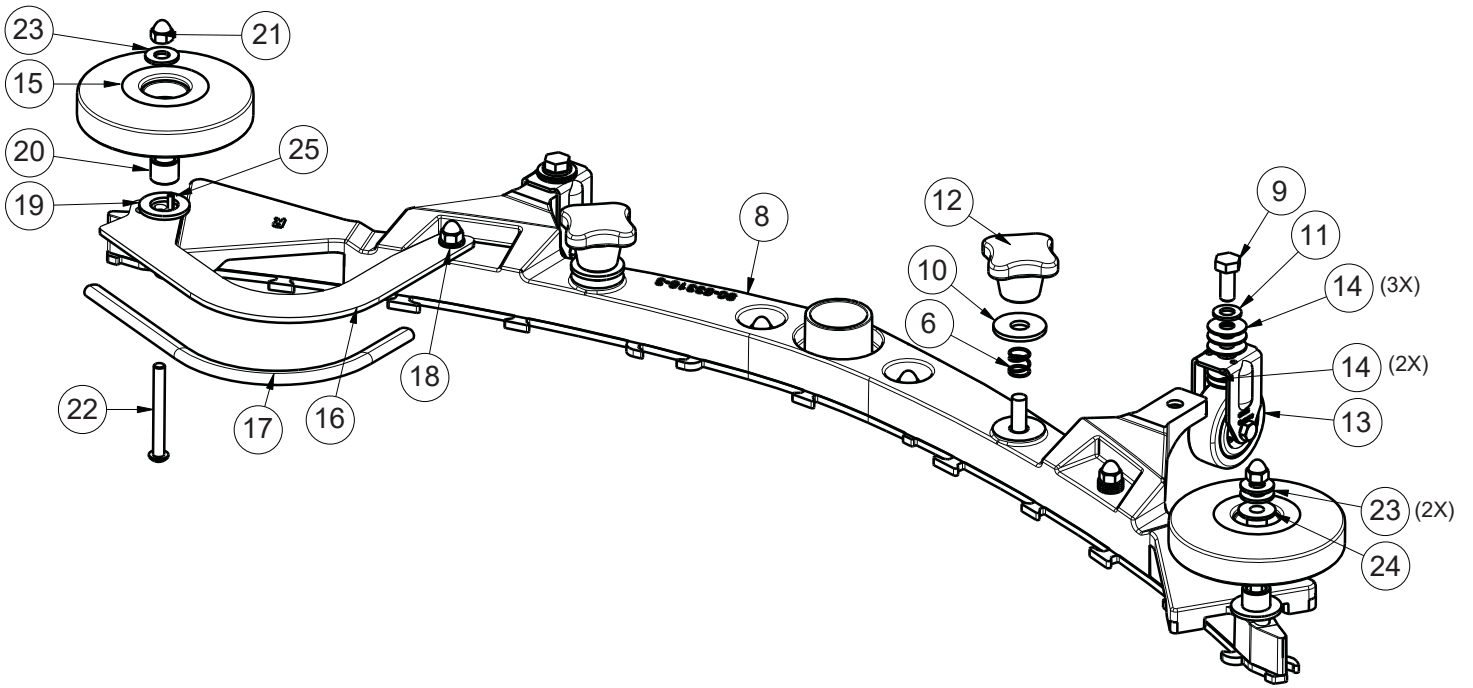
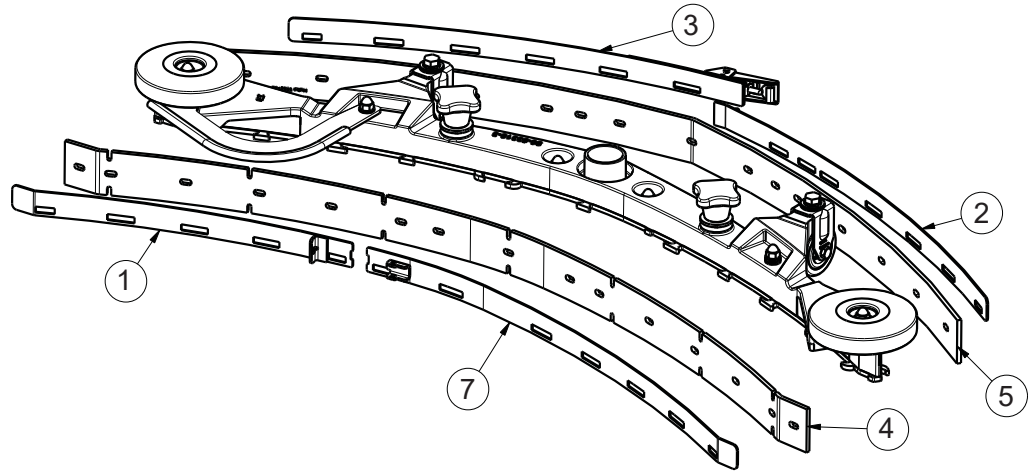


BILL OF MATERIAL - 210080			
ITEM	PART NO.	QTY	DESCRIPTION
1	210023	1	SQUEEGEE CASTING ASY
2	210024	1	SQUEEGEE MOUNT BKT
3	210065	1	SQUEEGEE BLADE 200 GUM
4	430074	6	ADJUSTING NUT 17B/E
5	430076	2	NYLON SQUEEGEE INSERT
6	430085	2	SQUEEGEE BUMPER WHEEL
7	712517	4	SCR-MC 8-32 X 1" ST PL - PH
8	831400	2	WHEEL ASSY

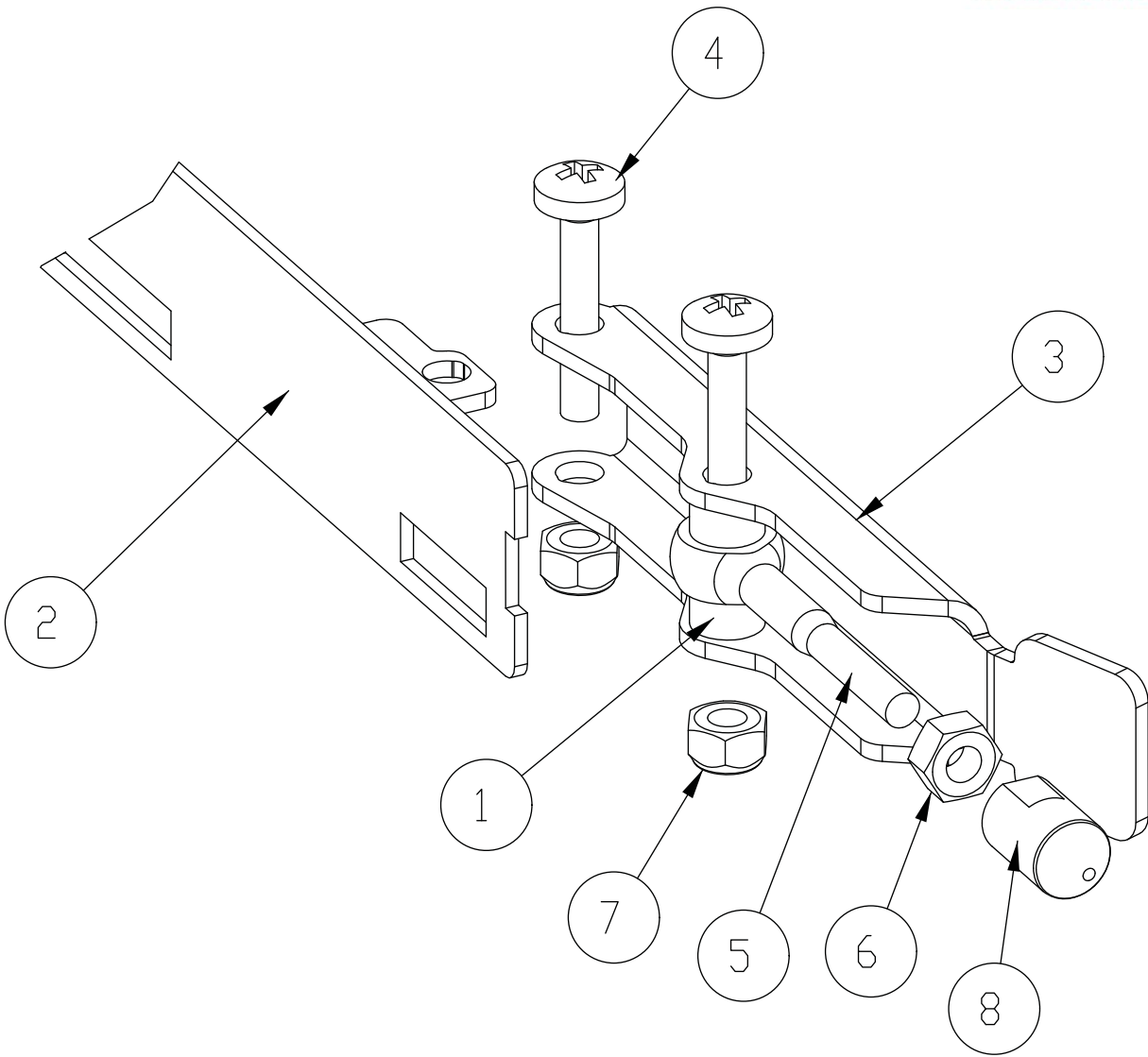


BILL OF MATERIAL - 172530-1			
ITEM	PART NO.	QTY	DESCRIPTION
1	172224	1	STRAP WMT, FRT RT - 30" (760)
2	172226	1	STRAP WMT, REAR LEFT - 30" (760)
3	172227	1	STRAP WMT, REAR RT - 30" (760)
4	172258	1	SQUEEGEE-FRONT BLADE 30", 1/8 PU
5	172259	1	SQUEEGEE-REAR BLADE 30", 1/8 PU
6	172429	2	SPRING, COMP .4 ID X .5FL SS
7	172443	1	STRAP ASM W/ LATCH, FRONT, 30" SQG
8	172531	1	30" SQUEEGEE BASE ASM
9	717030	2	SCR-HH M8-1.25 X 20 SS
10	717040	2	WASHER-FLAT M10.5 X 30 X 2.5 SS
11	12310264	2	WSR-FLT M8.4 X 16 X 1.6 A2 SS 140HV DIN
12	17133026	2	STAR HANDLE, M10, BLACK
13	90513094	2	FIXED CASTER
14	90531112	10	WASHER-FLAT 8.3 x 22 x 1.00mm STAINLESS
15	90548397	2	ROLLER - PLASTIC, 100mm DIA. (4")
16	172257	1	BUMPER, 30" SQG
17	172275	1	EDGE TRIM, 5/16 X 8" BLACK
18	711504	5	WASHER-FLAT 1/4 SS
19	711527	2	WASHER-FLAT .63 X 1.12 X .09
20	430322	2	BUSHING-.435 X .625 X .50 ZINC
21	712591	6	NUT-ACORN 1/4-20 SS
22	712592	2	SCR-BHSCS 1/4-20 X 2.25 SS
23	712772	3	WASHER-FLAT .344 X .75 X .06 SS
24	840202	1	BUSHING-FLG .31 X .435 X .325 NYL
25	3400727	1	PIN-ROLL 1/8 X .50 ZINC

# E20 Rear Squeegee Assembly (Curved)



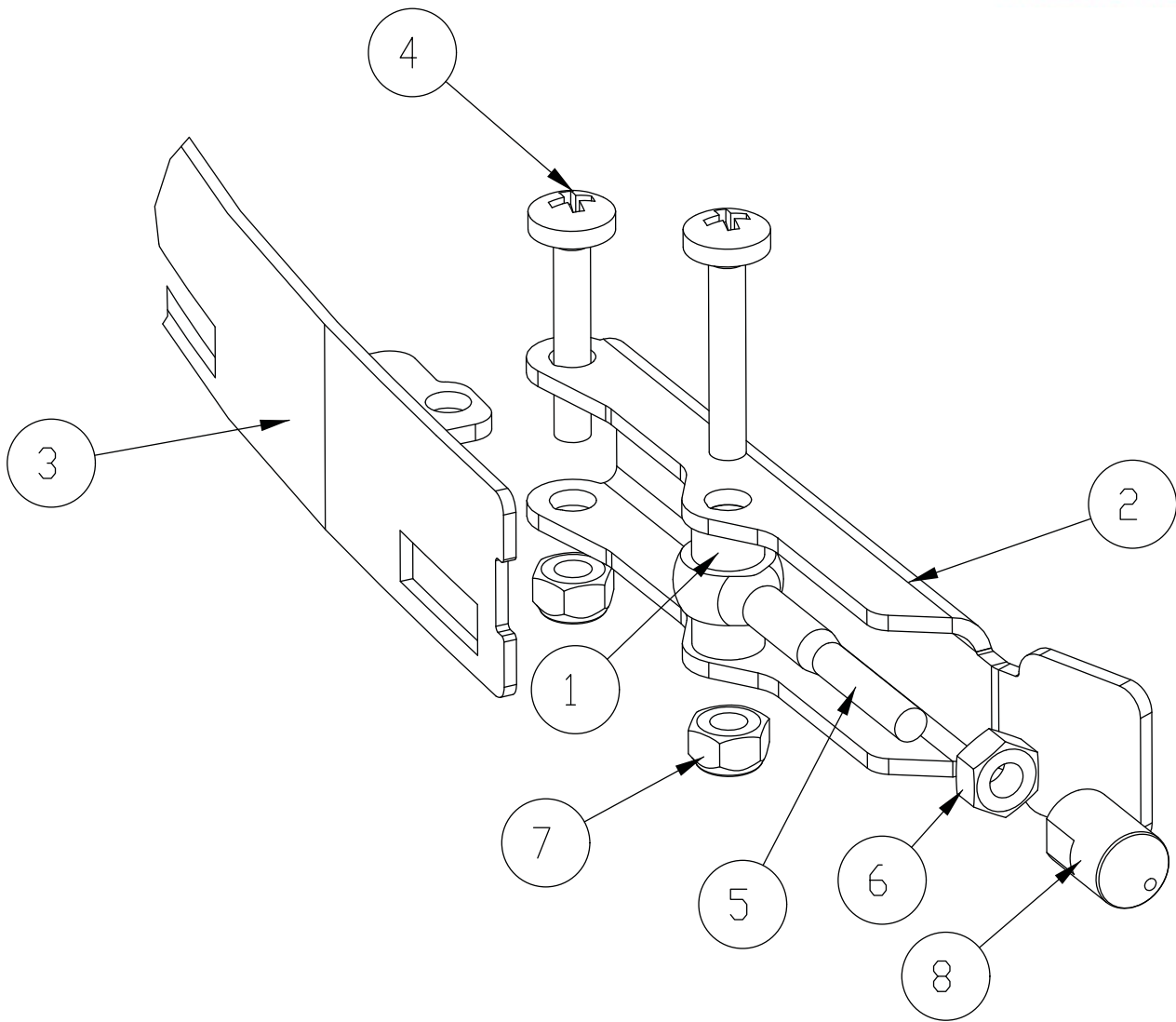
BILL OF MATERIAL - 172534-1			
ITEM	PART NO.	QTY	DESCRIPTION
1	172241	1	STRAP WMT, FRONT RT - 34" (860) SQG
2	172245	1	STRAP WMT, REAR LEFT - 34" (860) SQG
3	172246	1	WELD-STRAP REAR RT - 34" (860) SQG
4	172272	1	SQUEEGEE-FRONT BLADE 34", 1/8 PU
5	172273	1	SQUEEGEE-REAR BLADE 34", 1/8 PU
6	172429	2	SPRING, COMP .4 ID X .5FL SS
7	172440	1	STRAP W/ LATCH, FRONT LEFT, 34" SQG
8	90533183	1	CASTING, SQG BODY 34" (860MM)
9	717030	2	SCR-HH M8-1.25 X 20 SS
10	717040	2	WASHER-FLAT M10.5 X 30 X 2.5 SS
11	12310264	2	WSR-FLT M8.4 X 16 X 1.6 A2 SS 140HV DIN
12	17133026	2	STAR HANDLE, M10, BLACK
13	90513094	2	FIXED CASTER
14	90531112	10	WASHER-FLAT 8.3 x 22 x 1.00mm STAINLESS
15	90548397	2	ROLLER - PLASTIC, 100mm DIA. (4")
16	172271	1	BUMPER, 34" SQG
17	172274	1	EDGE TRIM, 5/16 X 10" BLACK
18	711504	5	WASHER-FLAT 1/4 SS
19	711527	2	WASHER-FLAT .63 X 1.12 X .09
20	430322	2	USHING-.435 X .625 X .50 ZINC
21	712591	6	NUT-ACORN 1/4-20 SS
22	712592	2	SCR-BHSCS 1/4-20 X 2.25 SS
23	712772	3	WASHER-FLAT .344 X .75 X .06 SS
24	840202	1	BUSHING-FLG .31 X .435 X .325 NYL
25	3400727	1	PIN-ROLL 1/8 X .50 ZINC



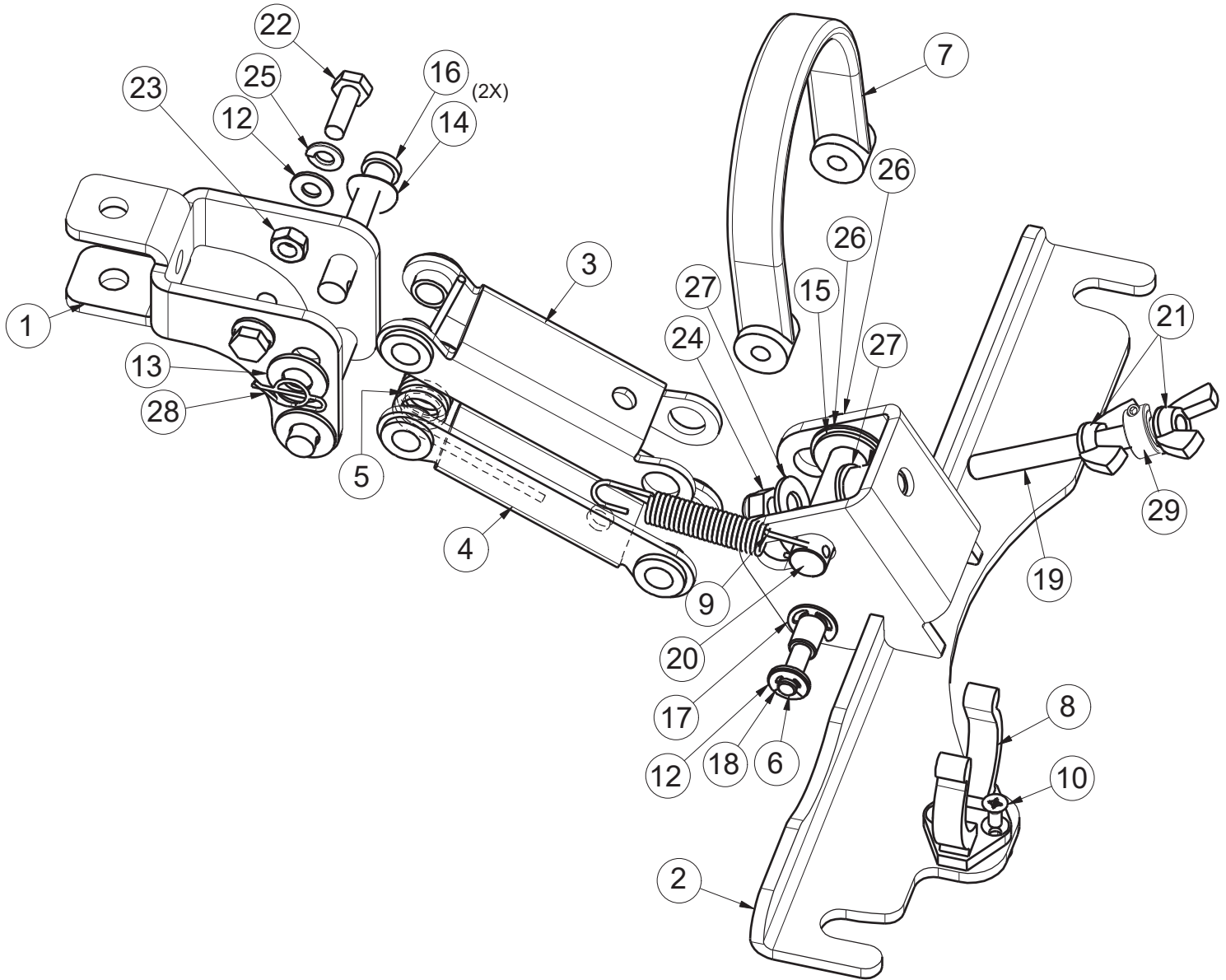
**BILL OF MATERIAL - 172443**

ITEM	PART NO.	QTY	DESCRIPTION
1	172074	2	SPACER, 5/16OD X 17GA, ALUM
2	172223	1	STRAP WMT, FRT LEFT-30" (760)
3	172234	1	LEVER, 90535758
4	11175494	2	SCR-MC M5 X 25 SS DIN7985
5	11518313	1	BLT-EYE M5 X 40 SS
6	12022430	1	NUT- HEX, M5, SS DIN934
7	12040283	2	NUT- HEX, M5 NYLON LOCK, SS DIN985
8	90513631	1	PIN, THD 90513631





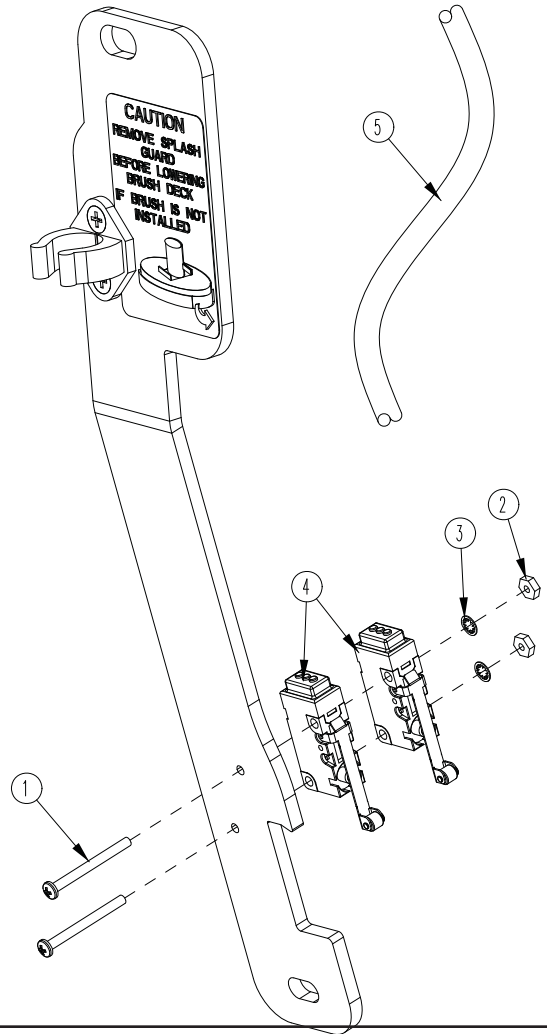
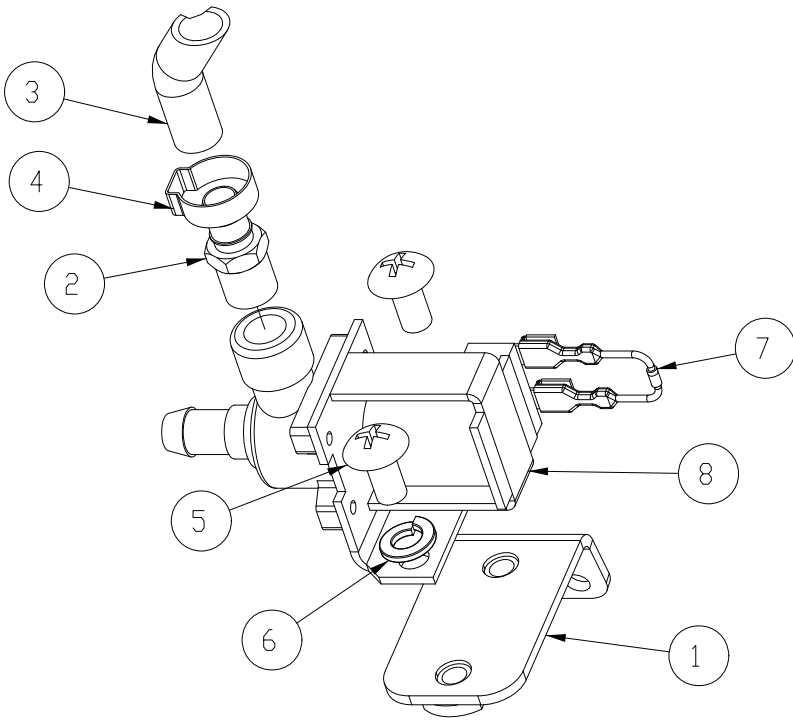
BILL OF MATERIAL - 172440			
ITEM	PART NO.	QTY	DESCRIPTION
1	172074	2	SPACER, 5/16OD X 17GA, ALUM
2	172234	1	LEVER, 90535758
3	172240	1	STRAP WMT, FRONT LEFT
4	11175494	2	SCR-MC M5 X 25 SS DIN7985
5	11518313	1	BLT-EYE M5 X 40 SS
6	12022430	1	NUT- HEX, M5, SS DIN934
7	12040283	2	NUT- HEX, M5 NYLON LOCK, SS DIN985
8	90513631	1	PIN, THD 90513631



**E17/E20/H20 Squeegee Mechanism Assembly BOM**

**BILL OF MATERIAL - 172150**

ITEM	PART NO.	QTY	DESCRIPTION
1	172074	2	SPACER, 5/16OD X 17GA, ALUM
2	172234	1	LEVER, 90535758
3	172240	1	STRAP WMT, FRONT LEFT
4	11175494	2	SCR-MC M5 X 25 SS DIN7985
5	11518313	1	BLT-EYE M5 X 40 SS
6	12022430	1	NUT- HEX, M5, SS DIN934
7	12040283	2	NUT- HEX, M5 NYLON LOCK, SS DIN985
8	90513631	1	PIN, THD 90513631
1	172134	1	BKT, SQG HINGE
2	172155	1	SQUEEGEE MOUNT WMT
3	172196	1	UPPER SQG LINK
4	172197	1	LOWER SQG LINK
5	172261	1	SPRING, TORSION 1720 SQG
6	172352	1	PIN, 3/8 X 3.0, SQG STRAP
7	172357	1	STRAP, 9" PU, BLACK
8	260579	1	CLIP-TOOL 1.5 INCH HOSE
9	430051	1	SPRING-RETURN .313 X .438 X 2.93 SS
10	710528	2	SCR-FHMS 8-32 X .37 BRASS
11	711420	1	NUT-JAM 5/16-18 ZP
12	711504	4	WASHER-FLAT 1/4 SS
13	712767	2	WASHER-FLAT .406 X .75 X .035 SS
14	711523	2	WASHER-WAVE .37 X .68 X .08
15	711592	2	WASHER-FLAT 1/2 X .90 X .064 NYLON
16	711678	2	PIN-CLEVIS 3/8 X 2 1/4 ZP
17	711717	2	RET RING-E EXT .37
18	711720	2	RET RING-E EXT .25
19	712147	1	ROD-THD 5/16-18 X 3.25 SS
20	712148	1	PIN-CLEVIS 1/2 X 2.25 WITH HOLE
21	712157	2	NUT-WING 5/16-18 SS
22	712562	2	SCR-HH 1/4-20 X .75, 18-8 SS
23	712665	2	NUT-HEX 1/4-20 SS
24	712683	1	NUT-NYLOC 5/16-18 SS
25	712758	2	WASHER-LOCK 1/4 SPLIT SS
26	712760	3	WASHER-FLAT .56 X 1.06 X .04 SS
27	712772	2	WASHER-FLAT .344 X .75 X .06 SS
28	3400125	1	RING-RUE 3/8
29	713528	1	COLLAR-THREADED CLAMP 5/16-18X5/16-BK OX

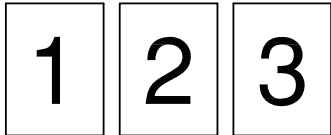


BILL OF MATERIAL - 172169			
ITEM	PART NO.	QTY	DESCRIPTION
1	172168	1	BKT, BD SOLENOID MOUNT
2	320264	1	FITTING BRASS - 3/8 DBL BARB X 1/4MPT
3	450055	1	HOSE-NYLO REINF 3/8 X 9"
4	450076	1	CLAMP-CRIMP 185R SS
5	710196	2	SCR-MC 5/16-18 X .62
6	711545	2	WSR-HELICAL 5/16
7	740482	1	DIODE ASY, 1N4007 W/PIGGY
8	740493	1	WATER VALVE 24VDC

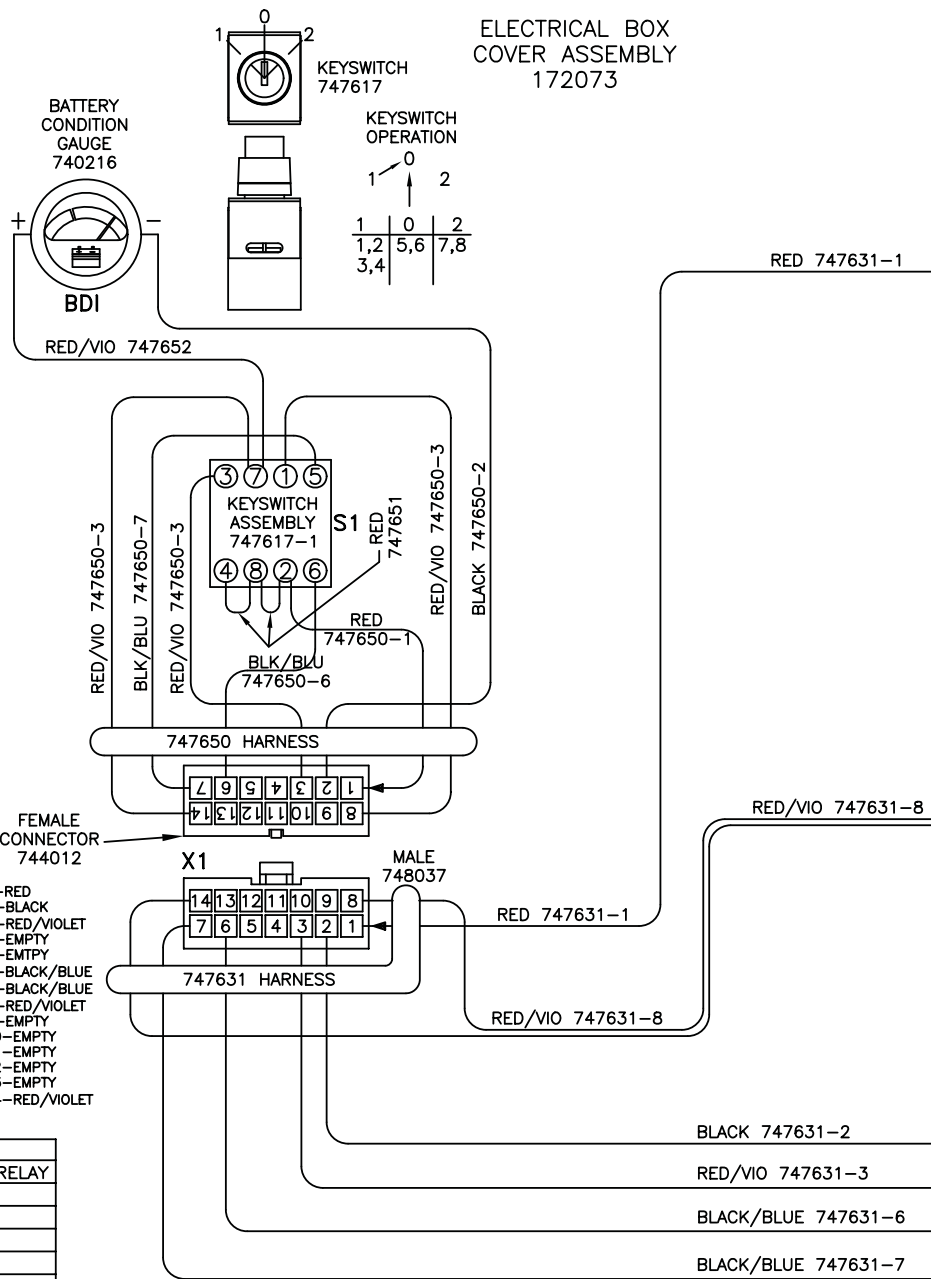
BILL OF MATERIAL -			
ITEM	PART NO.	QTY	DESCRIPTION
1	710495	2	SCR-MC 4-40 X 1.25 STL Z
2	711428	2	NUT-HEX 4-40
3	712326	2	WSR-INT LOCK #4
4	747603-2	2	SWITCH ASY, MICRO ROLLER W/PACK/CONDUIT
5	747660	1	HARNESS, SOLENOID KIT E1720BD

# 1 Wiring Diagrams

## PAGE LAYOUT



PAGES GO TOGETHER AS SHOWN TO SEE THE ENTIRE SCHEMATIC AS ONE.



X1: MAIN KEYSWITCH ASSEMBLY: 747617-1

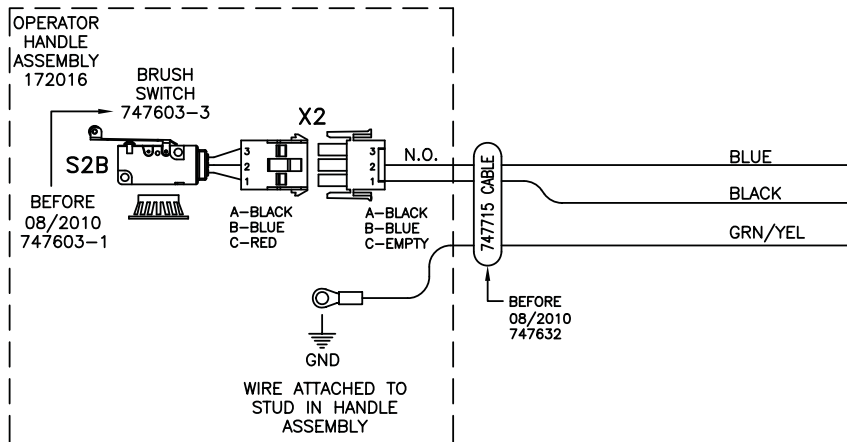
PIN #	COLOR	WHERE TO/FROM
1	RED	X13: BATTERY CHARGER INTERNAL RELAY
2	BLACK	RELAY COILS: 0V
3	RED/VIOLET	BRUSH MOTOR RELAY COIL: 24VDC
4	-	-
5	-	-
6	BLACK/BLUE	BRUSH RELAY NORMALLY CLOSED
7	BLACK/BLUE	BRUSH UNLOAD SWITCH P:B
8	RED/VIOLET	X12: MAIN RELAY COIL: 24VDC
9	-	-
10	-	-
11	-	-
12	-	-
13	-	-
14	RED/VIOLET	X12: MAIN RELAY COIL: 24VDC

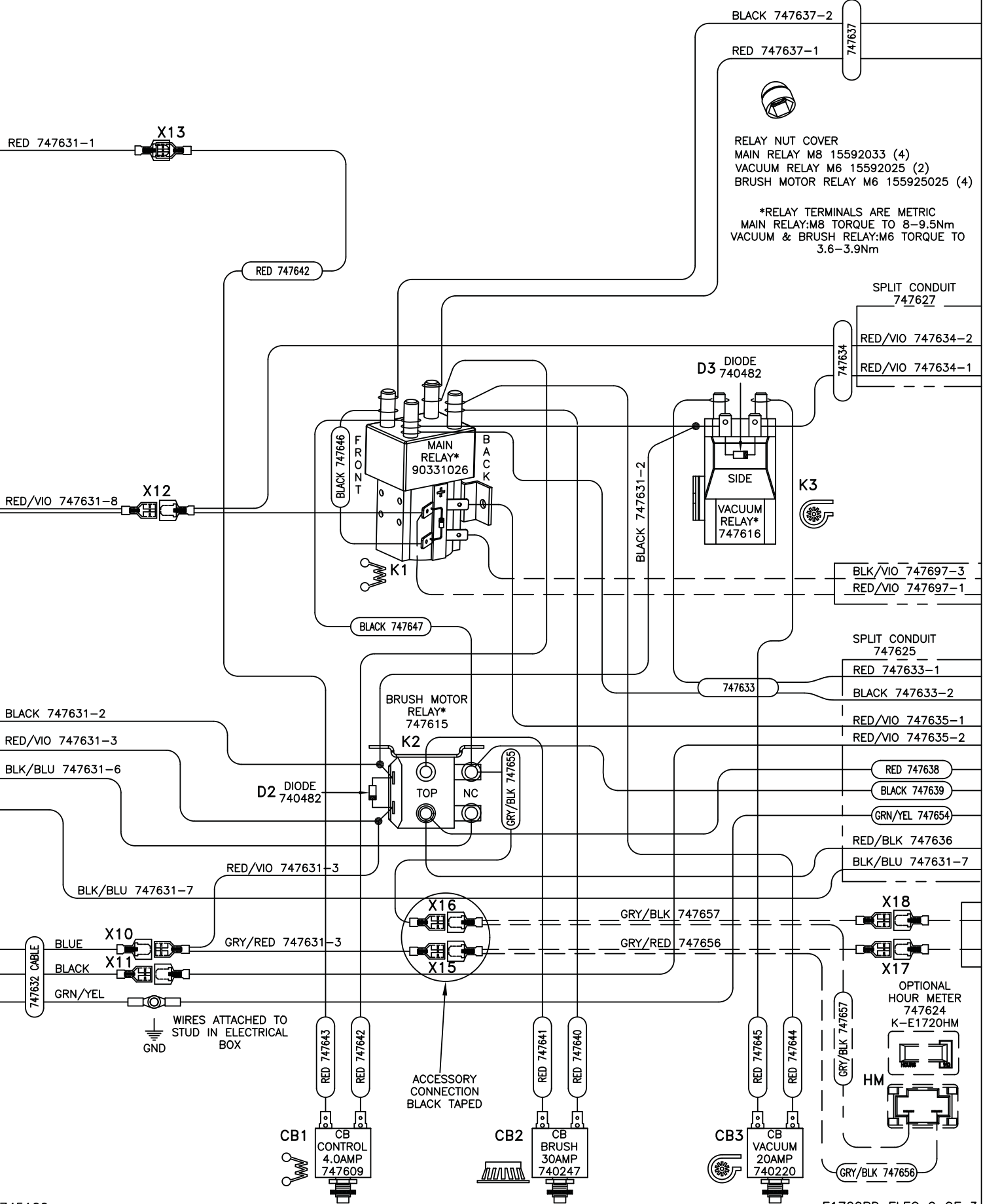
BATTERY CHARGER: 957761 or 957760

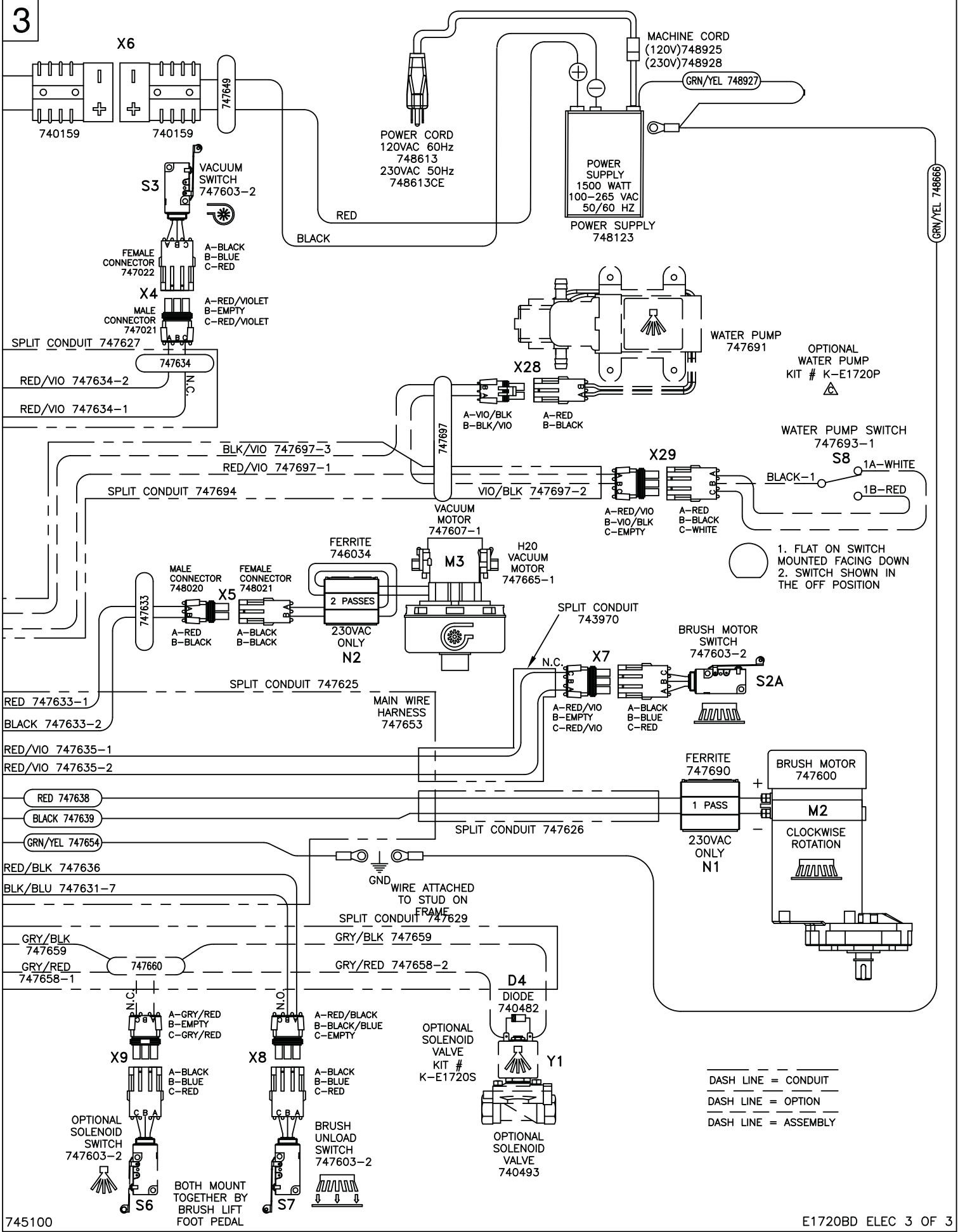
	COLOR	WHERE TO/FROM
X13	RED	X13: KEYSWITCH P:1
X14	BLACK	X14: CONTROL CB 4.0A
14GA	RED	MAIN RELAY + (REAR LEFT POST)
14GA	BLACK	MAIN RELAY - (FRONT LEFT POST)

### OTHER WIRE COLORS

-	RED	BATTERY 24VDC: +
-	BLACK	BATTERY 0VDC: -
-	GREEN/YELLOW	GROUND
-	BLACK/BLUE	BRUSH UNLOAD CIRCUIT
-	RED/BLACK	BRUSH UNLOAD CIRCUIT: MICRO SWITCH
-	RED/VIOLET	24VDC AFTER MAIN KEYSWITCH
X15	GREY/RED	OPTIONAL POWER 24VDC: 3A MAX
X16	GREY/BLACK	OPTIONAL POWER 0VDC: 3A MAX









### Minuteman International Made Simple Commercial Limited Warranty

#### REVISION O EFFECTIVE 4/1/2016

Minuteman International, Inc. warrants to the original purchaser/user that the product is free from defects in workmanship and materials under normal use. Minuteman will, at its option, repair or replace without charge, parts that fail under normal use and service when operated and maintained in accordance with the applicable operation and instruction manuals. All warranty claims must be submitted through and approved by factory authorized repair stations.

This warranty does not apply to normal wear, or to items whose life is dependent on their use and care, such as belts, cords, switches, hoses, rubber parts, electrical motor components or adjustments. Parts manufactured by Minuteman are covered by and subject to the warranties and/or guarantees of their manufacturers. Please contact Minuteman for procedures in warranty claims against these manufacturers.

**Special warning to purchaser** -- Use of replacement filters and/or pre-filters not manufactured by Minuteman or its designated licensees, will void all warranties expressed or implied. A potential health hazard exists without original equipment replacement.

All warranted items become the sole property of Minuteman or its original manufacturer, whichever the case may be.

Minuteman disclaims any implied warranty, including the warranty of merchantability and the warranty of fitness for a particular purpose. Minuteman assumes no responsibility for any special, incidental or consequential damages.

This limited warranty is applicable only in the U.S.A. and Canada, and is extended only to the original user/purchaser of this product. Customers outside the U.S.A. and Canada should contact their local distributor for export warranty policies. Minuteman is not responsible for costs or repairs performed by persons other than those specifically authorized by Minuteman. This warranty does not apply to damage from transportation, alterations by unauthorized persons, misuse or abuse of the equipment, use of non-compatible chemicals, or damage to property, or loss of income due to malfunctions of the product.

If a difficulty develops with this machine, you should contact the dealer from whom it was purchased.

This warranty gives you specific legal rights, and you may have other rights which vary from state to state. Some states do not allow the exclusion or limitation of special, incidental or consequential damages, or limitations on how long an implied warranty lasts, so the above exclusions and limitations may not apply to you.



<b>Model</b>	<b>Parts</b>	<b>Labor</b>	<b>Poly</b>	<b>Travel**</b>
Cord Electric Group	5yrs	3yrs	12yrs	90 days
Battery Operated Group	5yrs	3yrs	12yrs	90 days


**Exceptions.....**

<b>Model</b>	<b>Parts</b>	<b>Labor</b>	<b>Poly</b>	<b>Travel**</b>
Port A Scrub, all models	1yr	6months	12yrs	90 days
A3S Blower	1yr	1yr	0	0
Phenom Dual Motor Upright Vacuums	2yrs	2yrs	0	0
Explosion Proof Vacuum	1yr	1yr	0	0
Propane Burnisher	1yr	1yr	0	90 days
**Travel, 2 hours max				

<i>Stand-alone Battery Chargers:</i>	One year
<i>Replacement Parts:</i>	Ninety days
<i>Batteries:</i>	0-3 months full replacement, 4-12 months pro-rate
<i>Polypropylene Plastic Tanks:</i>	12yr warranty, no additional labor

# ***“Excellence Meets Clean”***

**Minuteman is a Full Line Manufacturer of Sweepers and Scrubbers,  
for Industrial Facilities.**



14N845 U.S. Route 20, Pingree Grove, IL 60140 USA  
Phone (800) 323-9420 - [www.minutemanintl.com](http://www.minutemanintl.com)  
*A Member of the Hako Group*